

CD RECEIVER

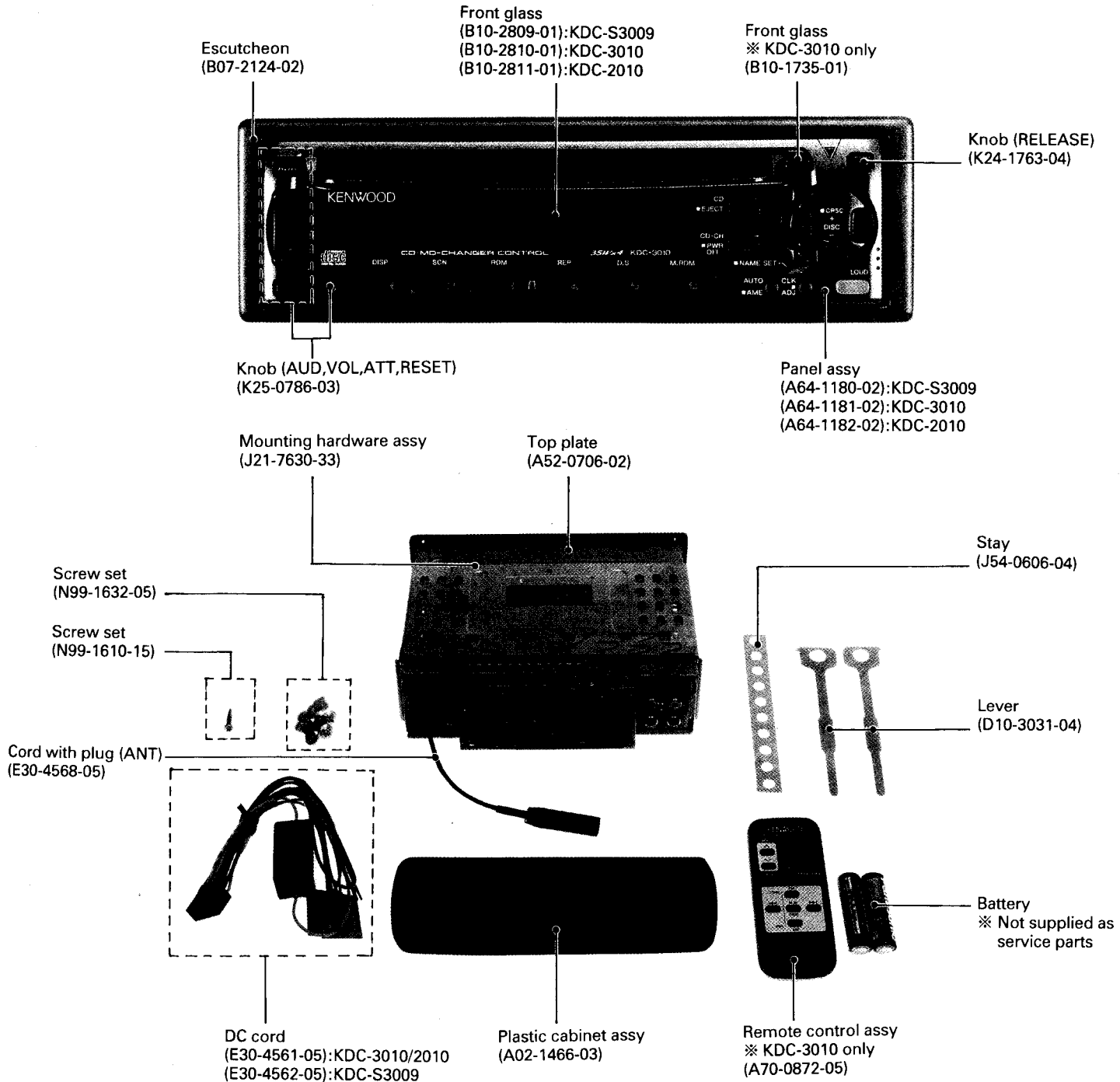
KDC-S3009/3010/2010 4060RG/RA/RYG/RYA SERVICE MANUAL

KENWOOD

© 1997-10 PRINTED IN JAPAN
B51-7226-00 (S) 3305

Photo is KDC-3010 (For KDC-S3009/3010/2010)

Extension cord	Parts No.
CD mechanism (22P)	W05-0618-00

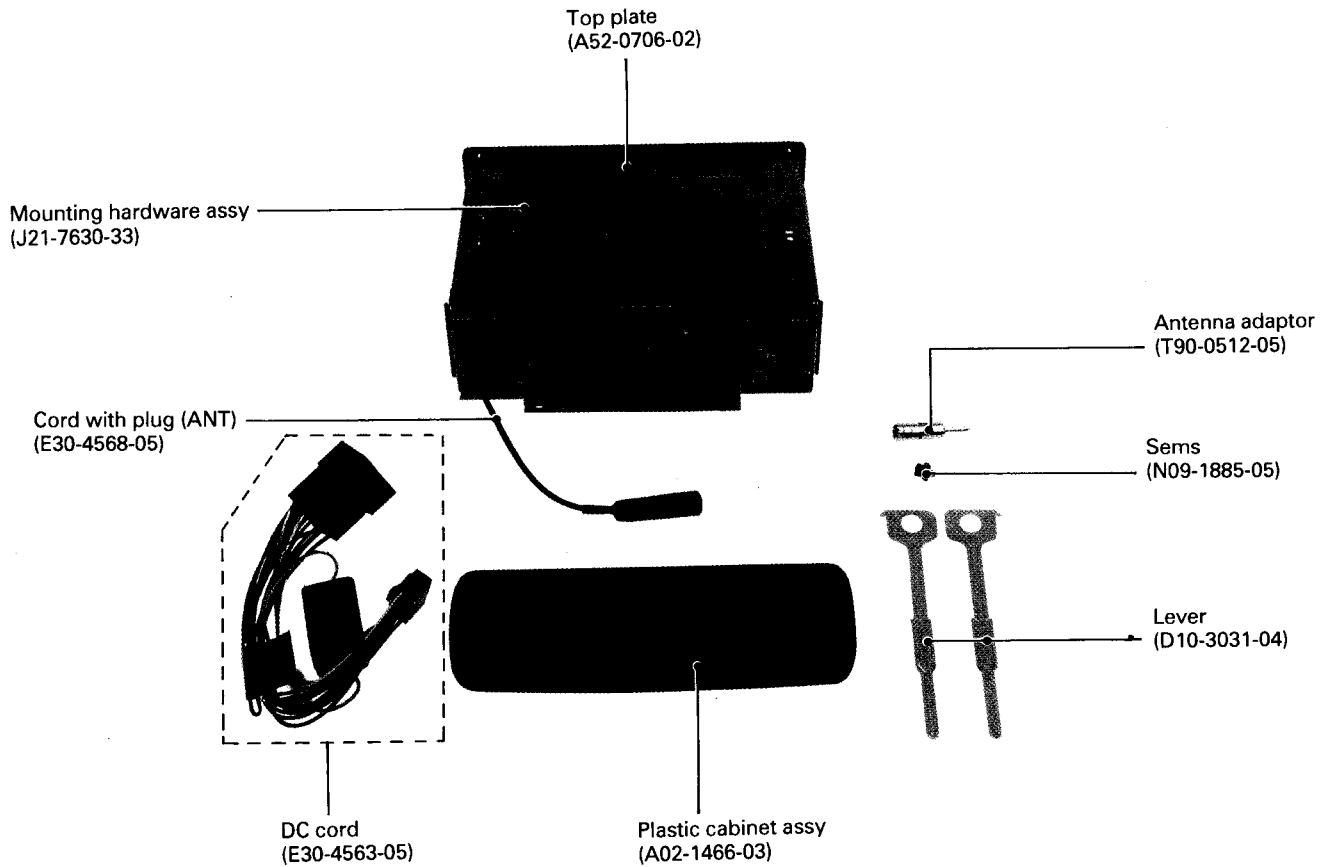
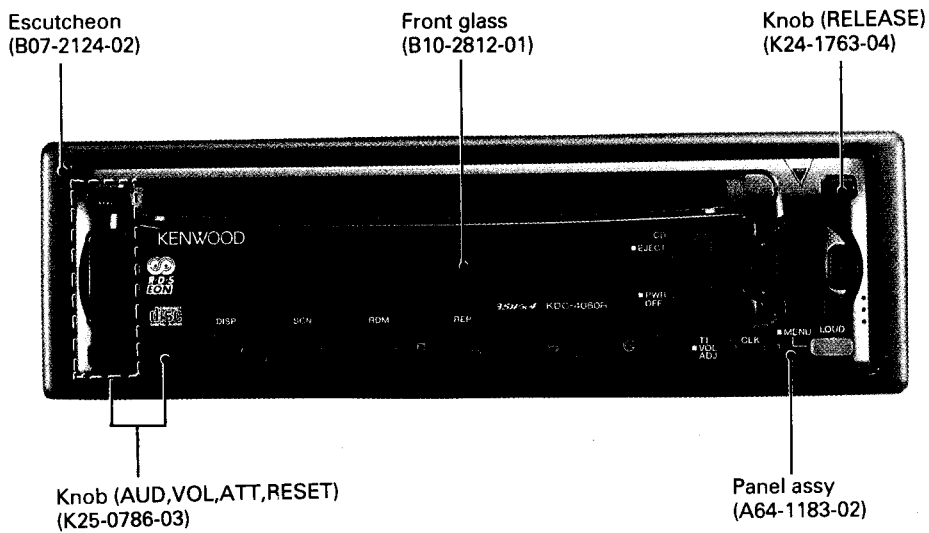


The MECHANISM OPERATION DESCRIPTION is the same as model KDC-S3007 and KDC-5050RG.
Please refer to the service manual for model KDC-S3007 (B51-7092-00) or KDC-5050RG (B51-7099-00).

KDC-S3009/3010/2010/4060R

Photo is KDC-4060RG

(For KDC-4060RG/RA/RYG/RYA)



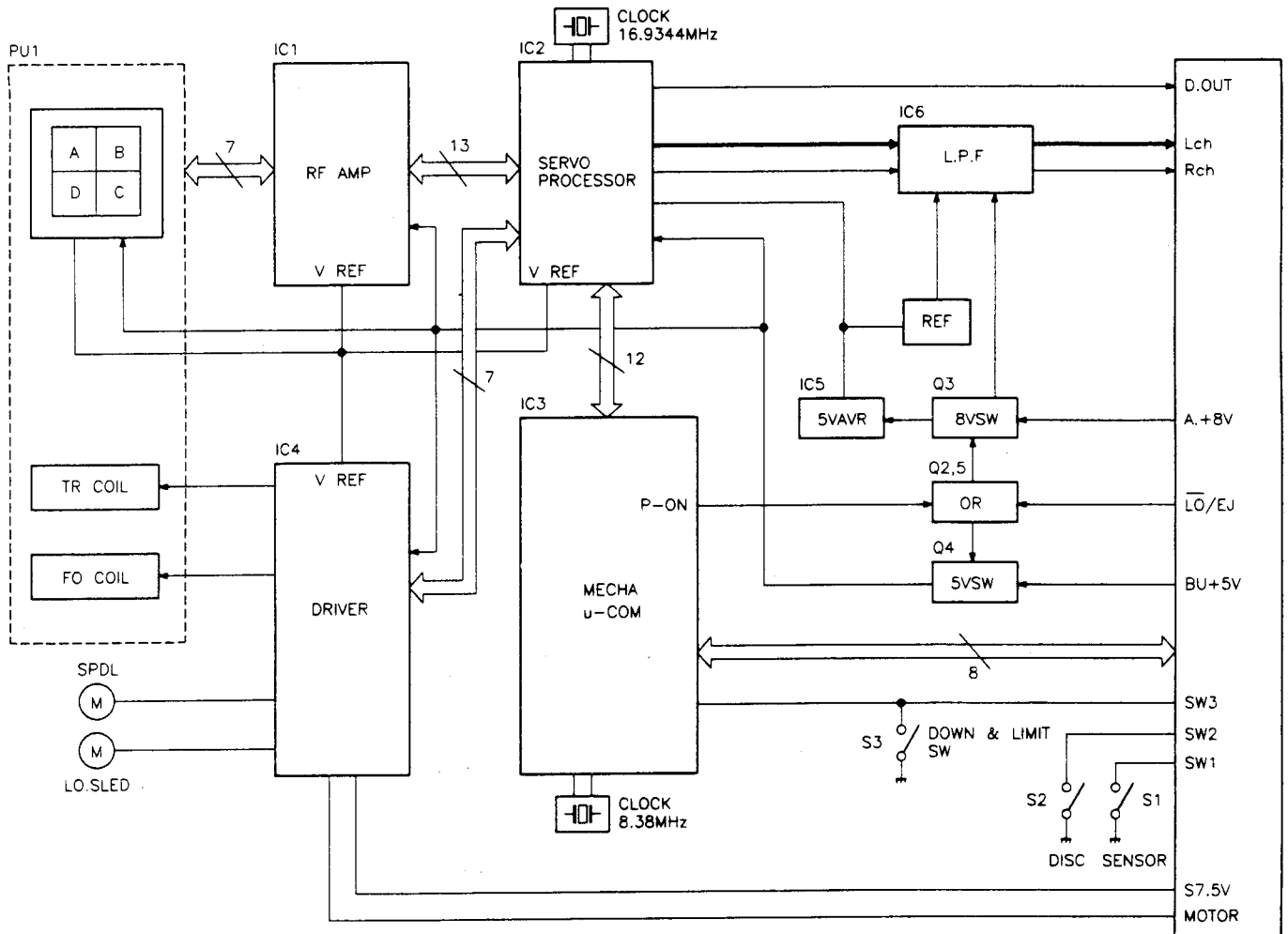
- Optional TDF (Not supplied as service parts)
TDF-84D :KDC-S3009/3010/2010
TDF-4060 :KDC-4060RG/RA/RYG/RYA

KDC-S3009/3010/2010/4060R

CONTENTS

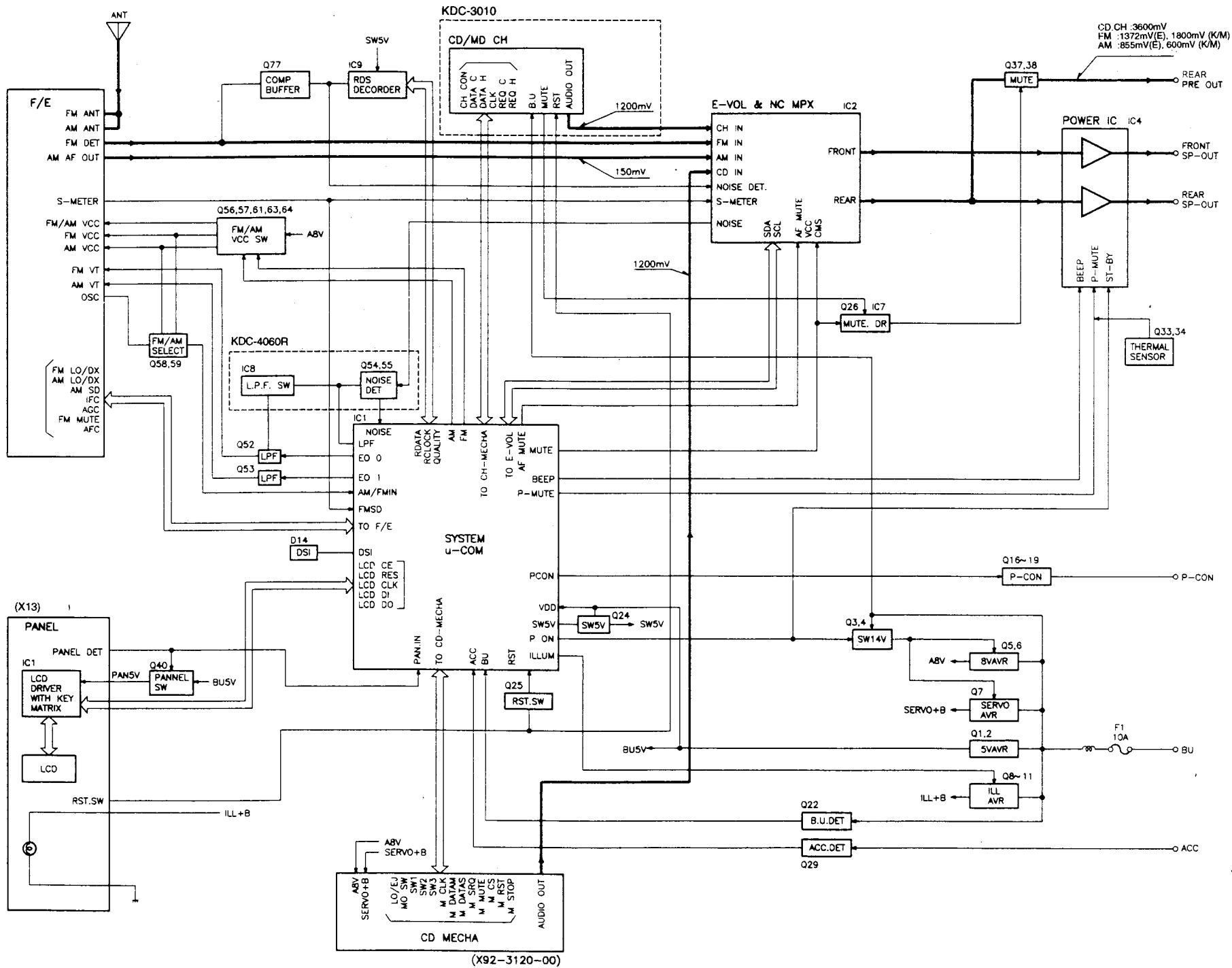
BLOCK DIAGRAM	3	EXPLODED VIEW (MECHANISM)	27
CIRCUIT DESCRIPTION	5	EXPLODED VIEW (UNIT)	28
ADJUSTMENT	8	PARTS LIST	29
PC BOARD	11	SPECIFICATIONS	37
SCHEMATIC DIAGRAM	18		

BLOCK DIAGRAM (MECHANISM)



KDC-S3009/3010/2010/4060R

BLOCK DIAGRAM

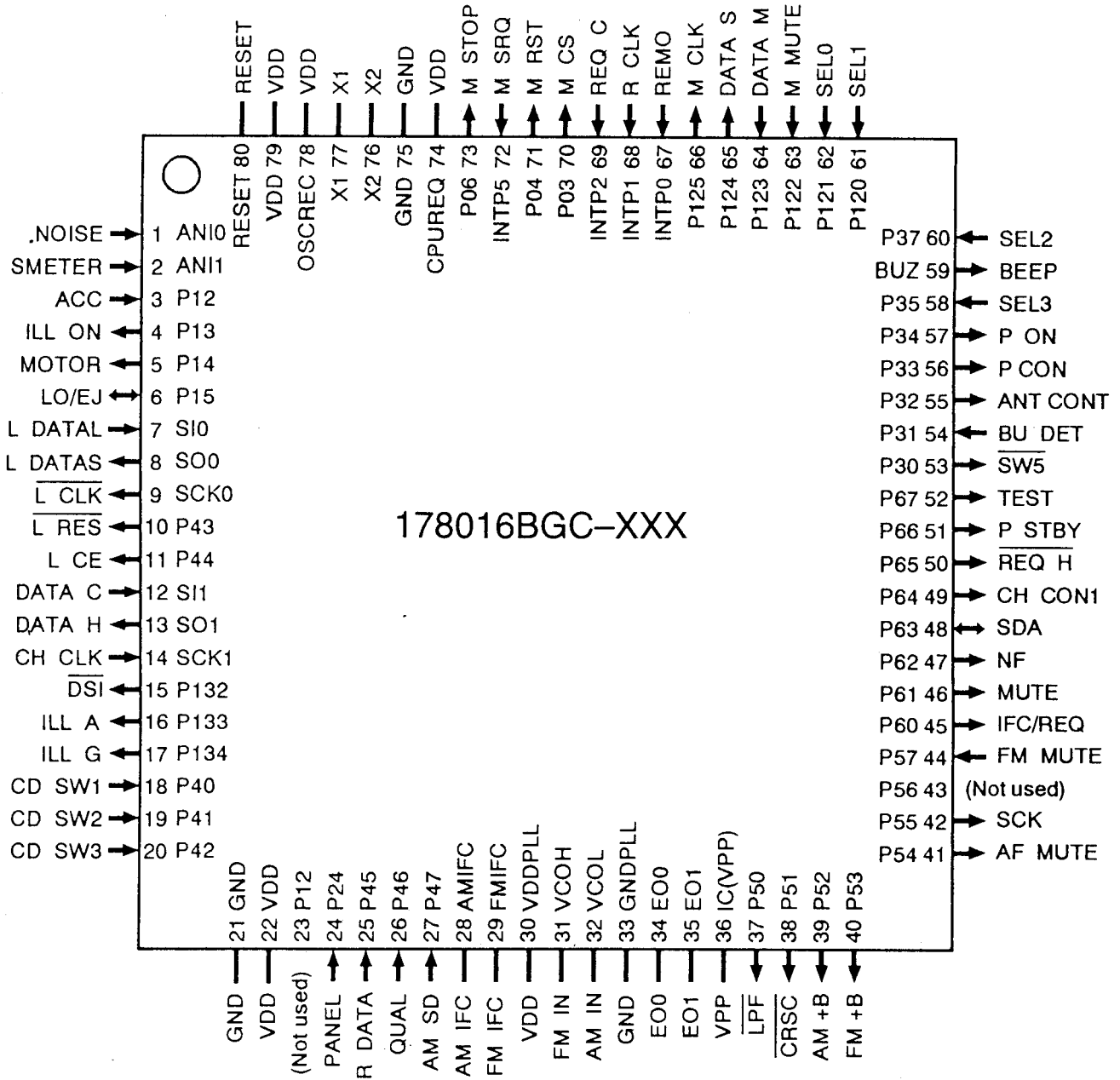


KDC-S3009/3010/2010/4060R

CIRCUIT DESCRIPTION

Microprocessor IC1 : 178016BGC-XXX

● Terminal connection



KDC-S3009/3010/2010/4060R

CIRCUIT DESCRIPTION

● Terminal description

Pin.No	Pin Name	I/O	Function	Description	Active
1	ANI0	I	NOISE	Analog input for FM noise detection	
2	ANI1	I	SMETER	Analog input for FM S meter detection	
3	P12	I	ACC	Acc detection input	L:ON
4	P13	O	ILL ON	Illumination output	H:ON
5	P14	O	MOTOR	Motor control output	
6	P15	I/O	LO/EJ	Load/Eject switching output	
7	SI0	I	L DATAL	DATA input from LCD driver	
8	SO0	O	L DATAS	DATA output to LCD driver	
9	SCK0	O	L CLK	CLOCK output to LCD driver	
10	P43	O	L RES	RESET output to LCD driver	L:RESET
11	P44	O	L CE	CE output to LCD driver	
12	SI1	I	DATA C	DATA input from CH	
13	SO1	O	DATA H	DATA output to CH	
14	SCK1	I	CH CLK	CLOCK input from CH	
15	P132	O	DSI	DSI output	L:ON
16	P133	O	ILL A	Illumination (Amber) output	L:Amber
17	P134	O	ILL G	Illumination (Green) output	L:Green
18	P40	I	CD SW1	Loading detection switch	L:ON
19	P41	I	CD SW2	12cm disc detection switch	L:12cm
20	P42	I	CD SW3	Down & Limit switch	L:Chucking
21	GND	-	GND	GND	
22	VDD	-	VDD	Vdd 5V	
23	P12		(Not used)		
24	P24	I	PANEL	Panel attached/detached detection input	H:Attached
25	P45	I	R DATA	RDS data input	
26	P46	I	QUAL	RDS reception quality	
27	P47	I	AM SD	AM station detection input	H:Detected
28	AMIFC	-	AM IFC	AM IF count input	
29	FMIFC	-	FM IFC	FM IF count input	
30	VDDPLL	-	VDD	Vdd 5V	
31	VCOH	-	FM IN	FM OSC input	
32	VCOL	-	AM IN	AM OSC input	
33	GNDPLL	-	GND	GND	
34	EO0	-	EO0	PLL error output 0	
35	EO1	-	EO1	PLL error output 1	
36	IC(VPP)	-	VPP	GND	
37	P50	O	LPF	Low-pass filter switching output	L:ON
38	P51	O	CRSC	CRSC output	L:ON
39	P52	O	AM+B	AM power output	H:ON
40	P53	O	FM+B	FM power output	H:ON
41	P54	I	FM MUTE	Band muting detection input	L:ON
42	P55	O	SCK	CLOCK output to E-Vol	
43	P56		(Not used)		

CIRCUIT DESCRIPTION

Pin.No	Pin Name	I/O	Function	Description	Active
44	P57	I	FM MUTE	Band muting detection input	H:Detected
45	P60	O	IFC	AM IF count control output	L:ON
46	P61	O	MUTE	Muting output	H:ON
47	P62	O	NF	Non-fader output	L:ON
48	P63	I/O	SDA	DATA input-output to E-Vol	
49	P64	O	CH CON1	Changer 1 control output	H:ON
50	P65	O	REQ H	Handshake request to Changer	L:Requested
51	P66	O	P STBY	Power amplifier standby output	L:ON
52	P67	O	TEST	Temperature rise protection circuit operation inhibiting output	H:Test mode
53	P30	O	SW5	5V power control output	L:ON
54	P31	I	BU DET	Momentary power-down detection input	H:Power down
55	P32	O	ANT CONT	Antenna control output	H:ON
56	P33	O	P CON	Power control output	H:ON
57	P34	O	P ON	Microcomputer surrounding power control output	H:ON
58	P35	I	SEL3	Destination type selection 3	
59	BUZ	O	BEEP	BEEP output	
60	P37	I	SEL2	Destination type selection 2	
61	P120	I	SEL1	Destination type selection 1	
62	P121	I	SEL0	Destination type selection 0	
63	P122	I	M MUTE	Muting request from CD mechanism controller	L:Requested
64	P123	I	DATA M	DATA input from CD mechanism controller	
65	P124	O	DATA S	DATA output to CD mechanism controller	
66	P125	O	M CLK	CLOCK output to CD mechanism controller	
67	INTP0	I	REMO	Remote control signal input	↓:Requested
68	INTP1	I	R CLK	RDS CLOCK input	
69	INTP2	I	REQ C	Handshake request from Changer	L:Requested
70	P03	O	M CS	Handshake request to CD mechanism controller	L:Requested
71	P04	O	M RST	RESET output to CD mechanism controller	L:RESET
72	INTP5	I	M SRQ	Handshake request from CD mechanism controller	↓:Requested
73	P06	O	M STOP	STOP request to CD mechanism controller	L:Requested
74	CPUREQ	-	VDD	Vdd 5V	
75	GND	-	GND	GND	
76	X2	-	X2	X'tal connection	
77	X1	-	X1	X'tal connection	
78	OSCREC	-	VDD	Oscillator power supply	
79	VDD	-	VDD	Power voltage application terminal	
80	RESET	-	RESET	RESET input	

KDC-S3009/3010/2010/4060R

ADJUSTMENT

[KDC-S3009/3010/2010]

Set the controls and switches as follows.

BALANCE	: center position	LOUD	: OFF	FM Section	AM Section
FADER	: center position			BAND : FM	BAND : AM
BASS	: center position			MODE : AUTO	MODE : AUTO
TREBLE	: center position				

No.	ITEM	INPUT SETTINGS	OUTPUT DETTINGS	TUNER (RECEIVER)	ALIGNMENT POINTS	ALIGN FOR	FIG.
FM SECTION							
1	DISCRIMINATOR	(A) 98.1MHz 0 dev 60dB μ (ANT input)	Connect a DC voltmeter to TP	FM 98.1MHz	T1 (F/E)	0V	(a)
2	ANRC	(C) 98.1MHz 1kHz, \pm 67kHz dev Pilot : \pm 7.5kHz dev Selector : L or R 35dB μ (ANT input)	(B)	FM 98.1MHz	VR1	Separation 10dB	
AM SECTION							
(1)	SEEK STOP LEVEL	(D) 990kHz 0% mod 35dB μ (ANT input)		AM 990kHz	AM SD VR (F/E)	STOP	

ADJUSTMENT

[KDC-4060RG/RA/RYG/RYA]

Set the controls and switches as follows.

BALANCE : center position LOUD : OFF FM Section AM Section
 FADER : center position BAND : FM BAND : AM
 BASS : center position MODE : AUTO MODE : AUTO
 TREBLE : center position

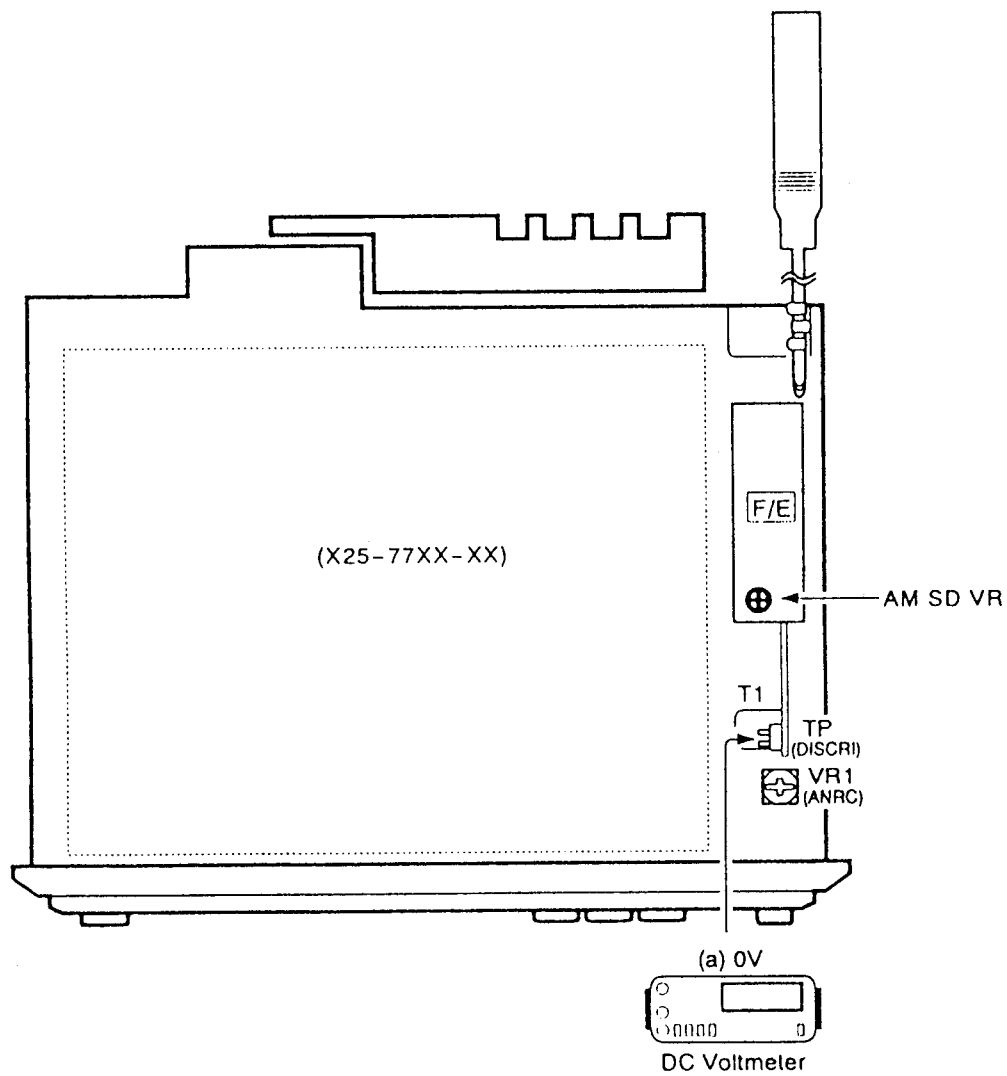
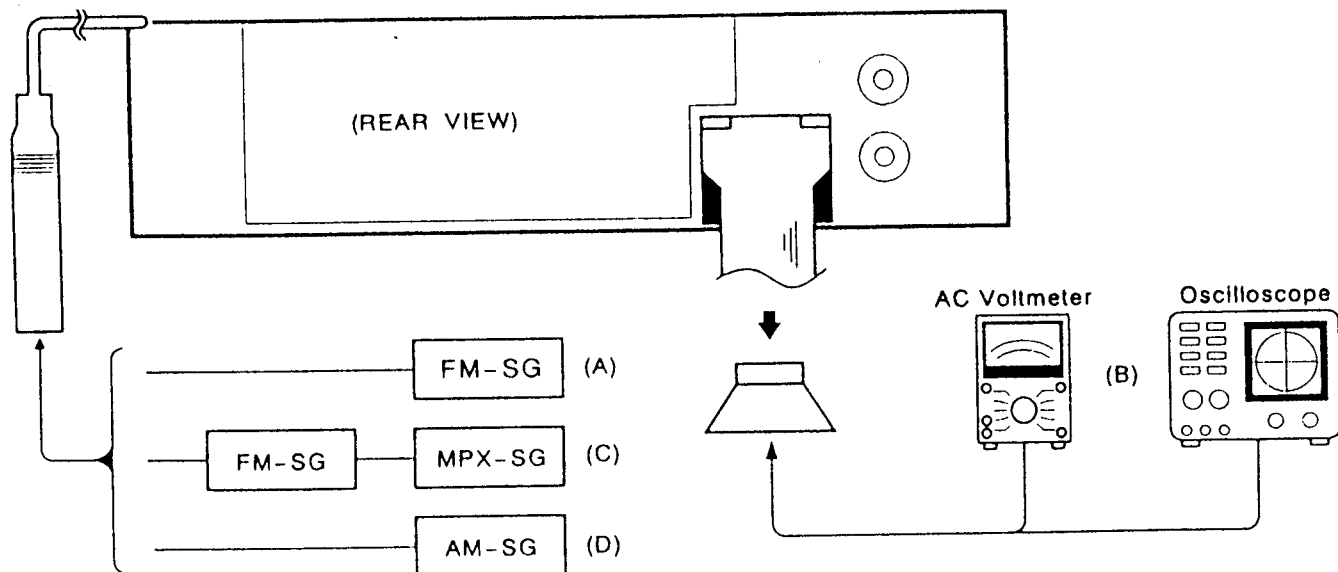
No.	ITEM	INPUT SETTINGS	OUTPUT SETTINGS	TUNER (RECEIVER)	ALIGNMENT POINTS	ALIGN FOR	FIG.
FM SECTION							
1	DISCRIMINATOR	(A) 98.1MHz 0 dev 60dB μ (ANT input)	Connect a DC voltmeter to TP	FM 98.1MHz	T1 (F/E)	0V	(a)
2	ANRC	(C) 98.1MHz 1kHz, \pm 40kHz dev Pilot : \pm 6.0kHz dev Selector : L or R 35dB μ (ANT input)	(B)	FM 98.1MHz	VR1	Separation 10dB	
AM SECTION							
(1)	SEEK STOP LEVEL	(D) 999kHz 0% mod 35dB μ (ANT input)		AM 999kHz	AM SD VR (F/E)	STOP	

ABGLEICH

NR.	GEGENSTAND	EINGANGS	AUSGANGS	TUNER (RECEIVER)	ABGLEICH	ABGLEICHEN FUR	ABB.
UKW-ABTEILUNG							
1	DISKRIMINATOR	(A) 98.1MHz 0 Hub 60dB μ (ANT-Eingang)	Ein Gleichstromvoltmeter an TP anschließen.	FM 98.1MHz	T1 (F/E)	0v	(a)
2	ANRC	(C) 98.1MHz 1kHz, \pm 40kHz dev Pilot : \pm 6.0kHz dev Wahler : L or R 35dB μ (ANT-Eingang)	(B)	FM 98.1MHz	VR1	Trennung : 10dB	
MW-ABTEILUNG							
(1)	SUCHEN HALT PEGEL	(D) 999kHz 0% mod 35dB μ (ANT input)		MW 999kHz	AM SD VR (F/E)	HALT	

KDC-S3009/3010/2010/4060R

ADJUSTMENT



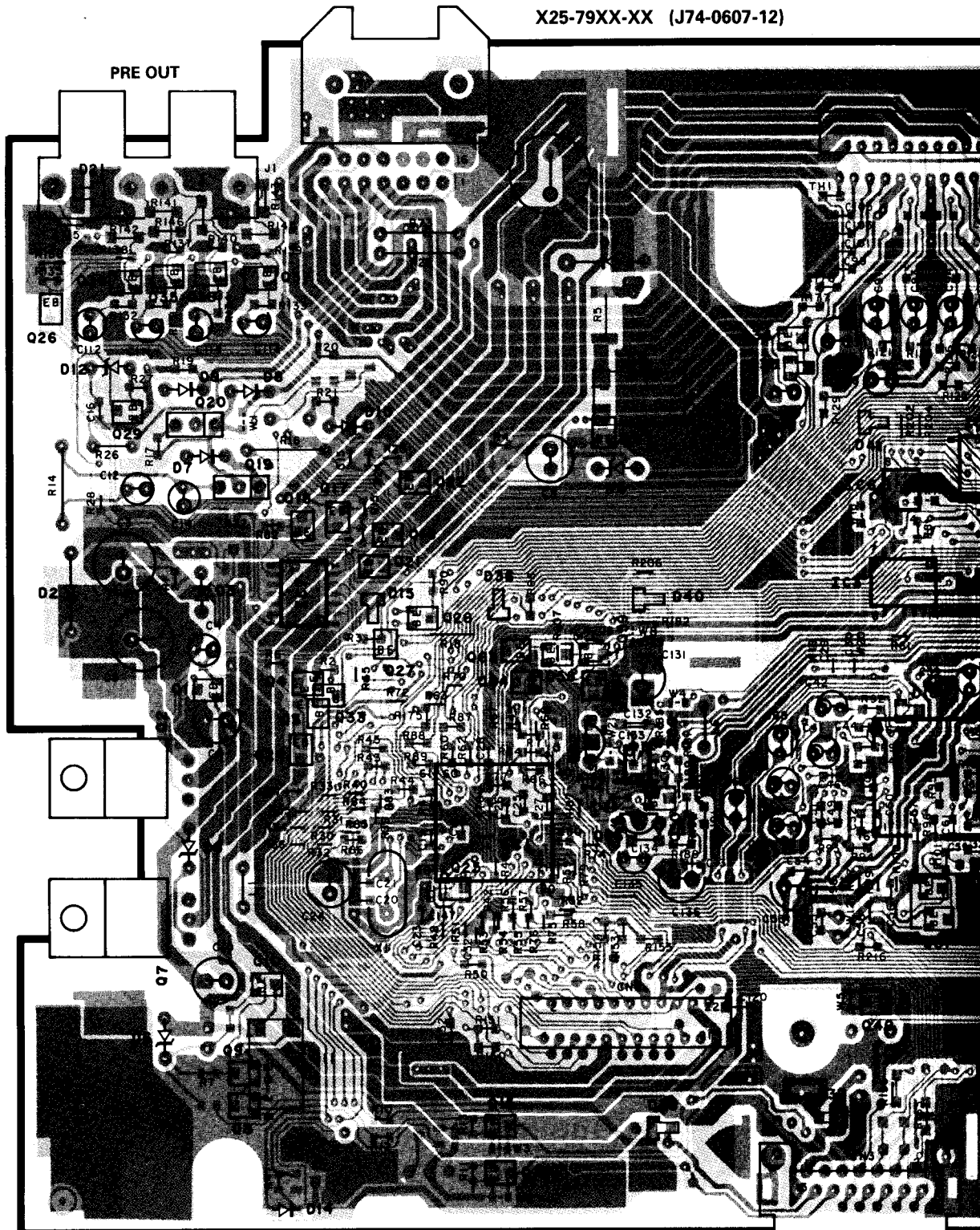
PC BOARD (Component side view)

ELECTRIC UNIT (X25-79XX-XX)

ELECTRIC UNIT
(X25-79XX-XX)

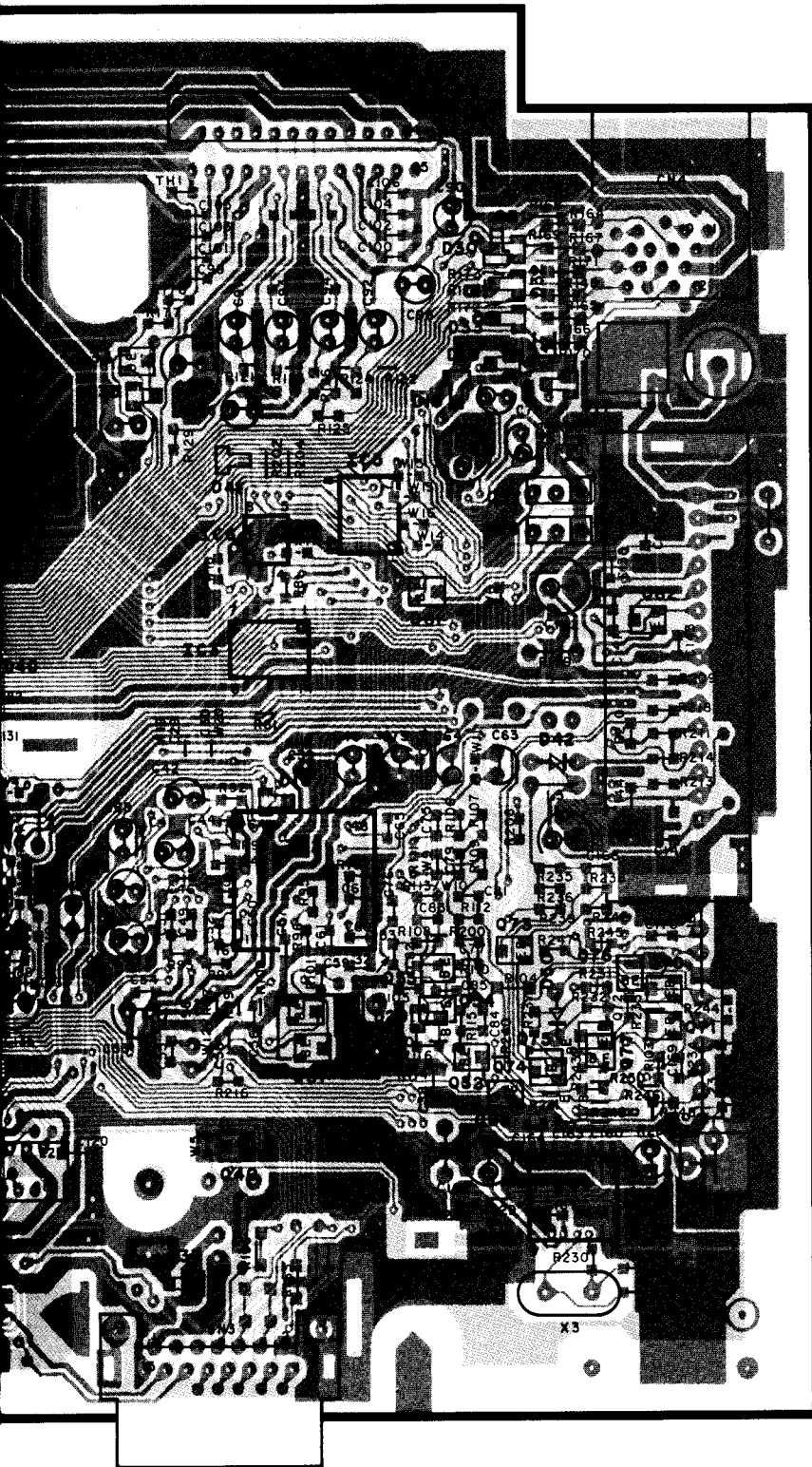
Ref.NO.		Address
IC	Q	
1		5D
2		5E
3		4E
4		2E
5		3F
6		3E
7		4C
8		5D
9		6F
1	1	4B
	2	5B
	3	4C
	4	4C
	5	3D
	6	3D
	7	5B
	8	6C
	9	6C
	10	5C
	11	6C
	14	6D
	15	6D
	16	4C
	17	4C
	18	4C
	19	3C
	20	3B
	21	4C
	22	3C
	24	4C
	25	5C
	26	3B
	27	4C
	28	4C
	29	3B
	30	5E
	31	5E
	32	5F
	33	4C
	34	3E
	35	3B
	36	3B
	37	3C
	38	3B
	40	6E
	50	5D
	51	4D
	52	4D
	53	5D
	54	5F
	55	5F
	56	3F
	57	3F
	58	4D
	59	4D
	61	4F
	62	4G
	63	4D
	64	4D
	65	5F
	70	5G
	71	5G
	73	5F
	74	5F
	75	5F
	76	5F
	77	5F

X25-79XX-XX (J74-0607-12)



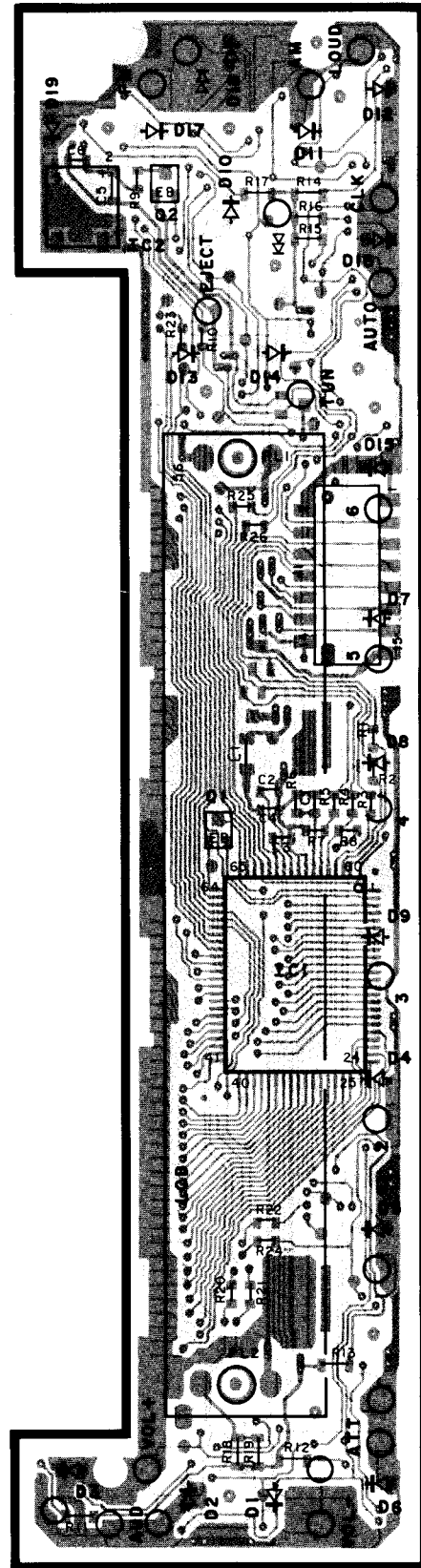
T (X25-79XX-XX)

(J74-0607-12)



SWITCH UNIT (X13-910X-XX)

X13-910X-XX (J74-0606-22)

SWITCH UNIT
(X13-910X-XX)

Ref.NO.	Address	
IC	Q	
1		5H
2		2H
	1	4H
	2	2H

PC BOARD (Foil side view)

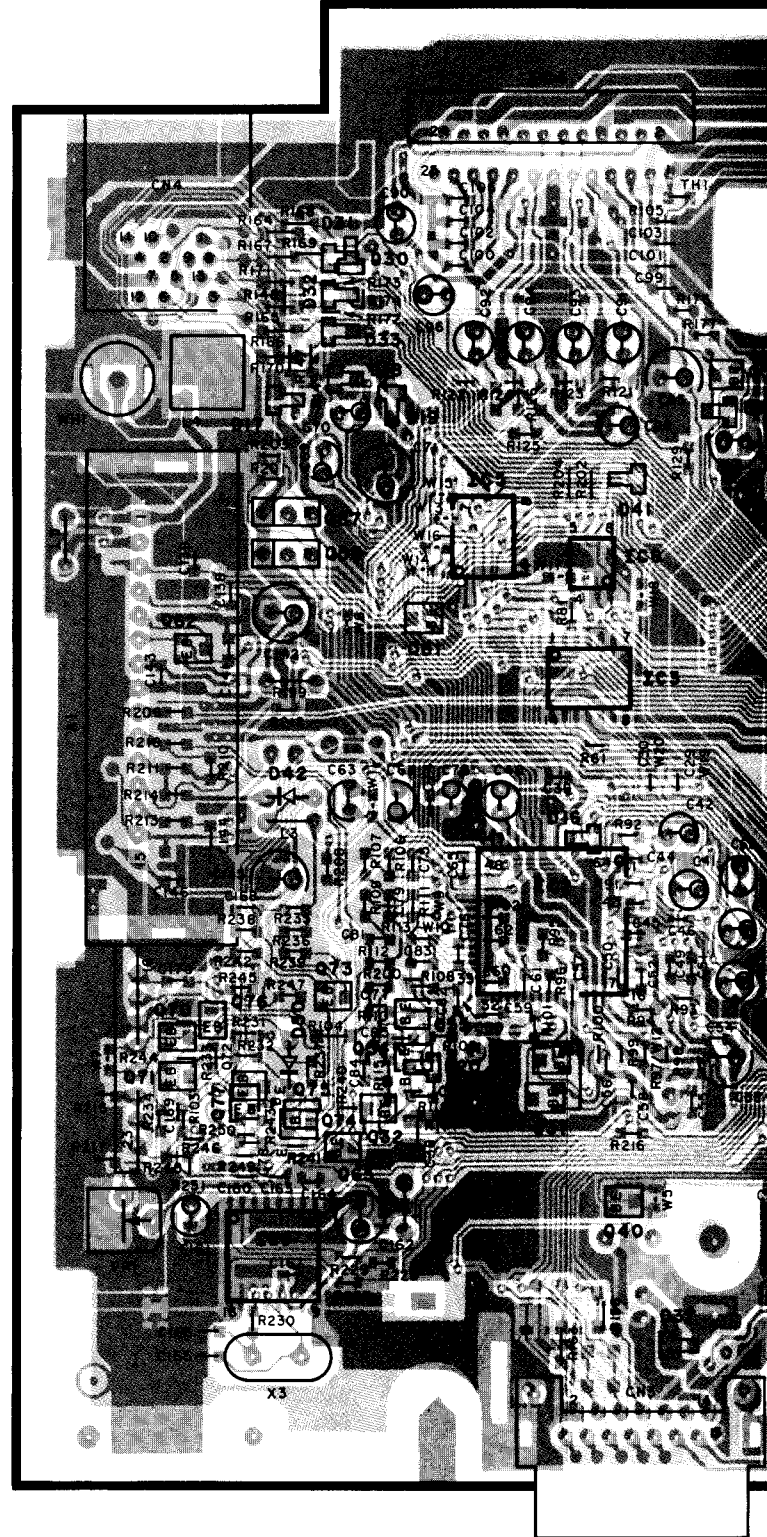
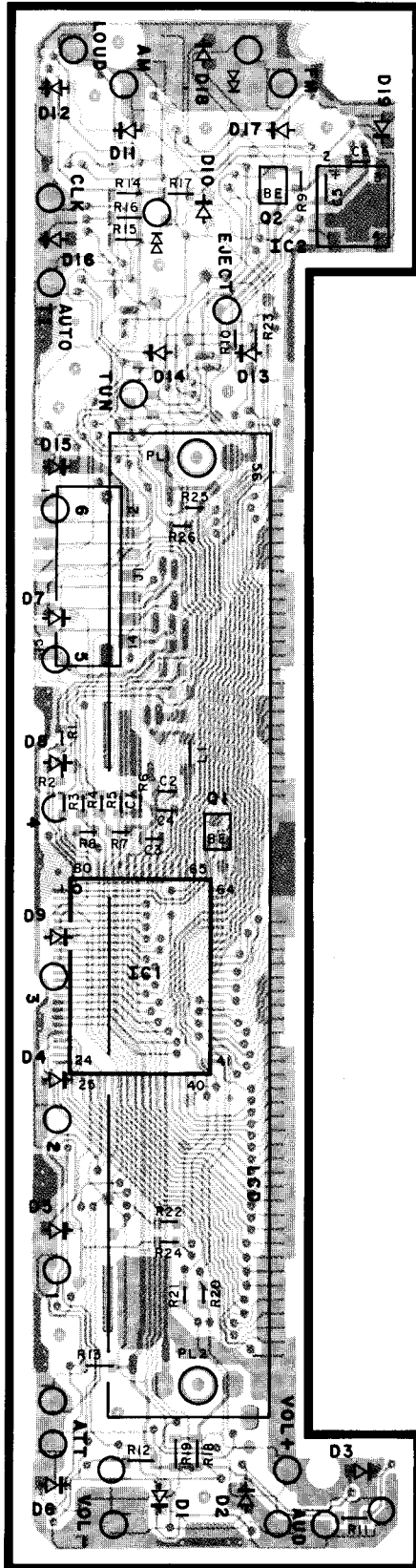
SWITCH UNIT (X13-910X-XX)

ELEC

X13-910X-XX (J74-0606-22)

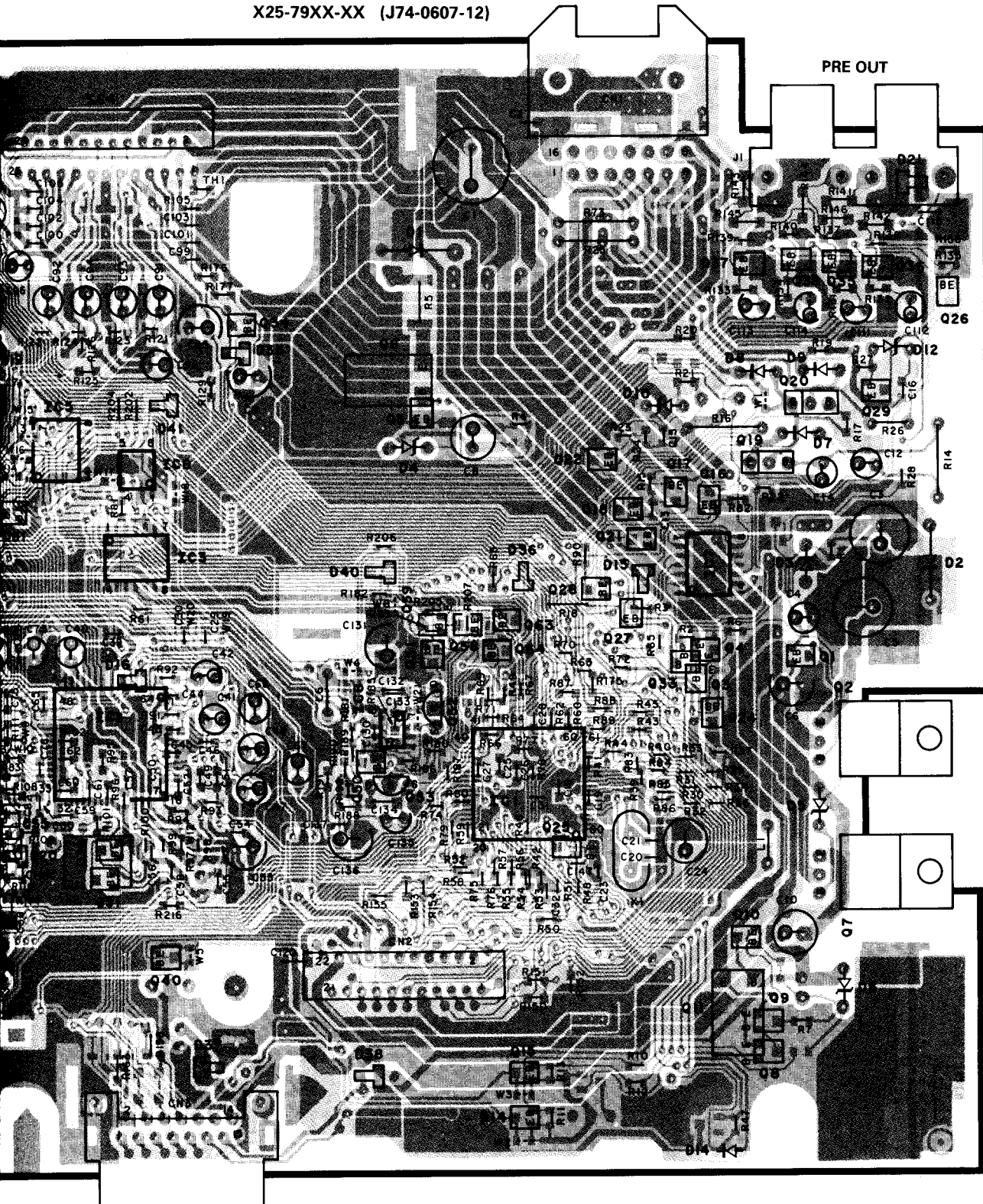
SWITCH UNIT
(X13-910X-XX)

Ref.NO.		Address
IC	Q	
1		5K
2		2L
	1	4K
	2	2K



ELECTRIC UNIT (X25-79XX-XX)

X25-79XX-XX (J74-0607-12)



ELECTRIC UNIT (X25-79XX-XX)

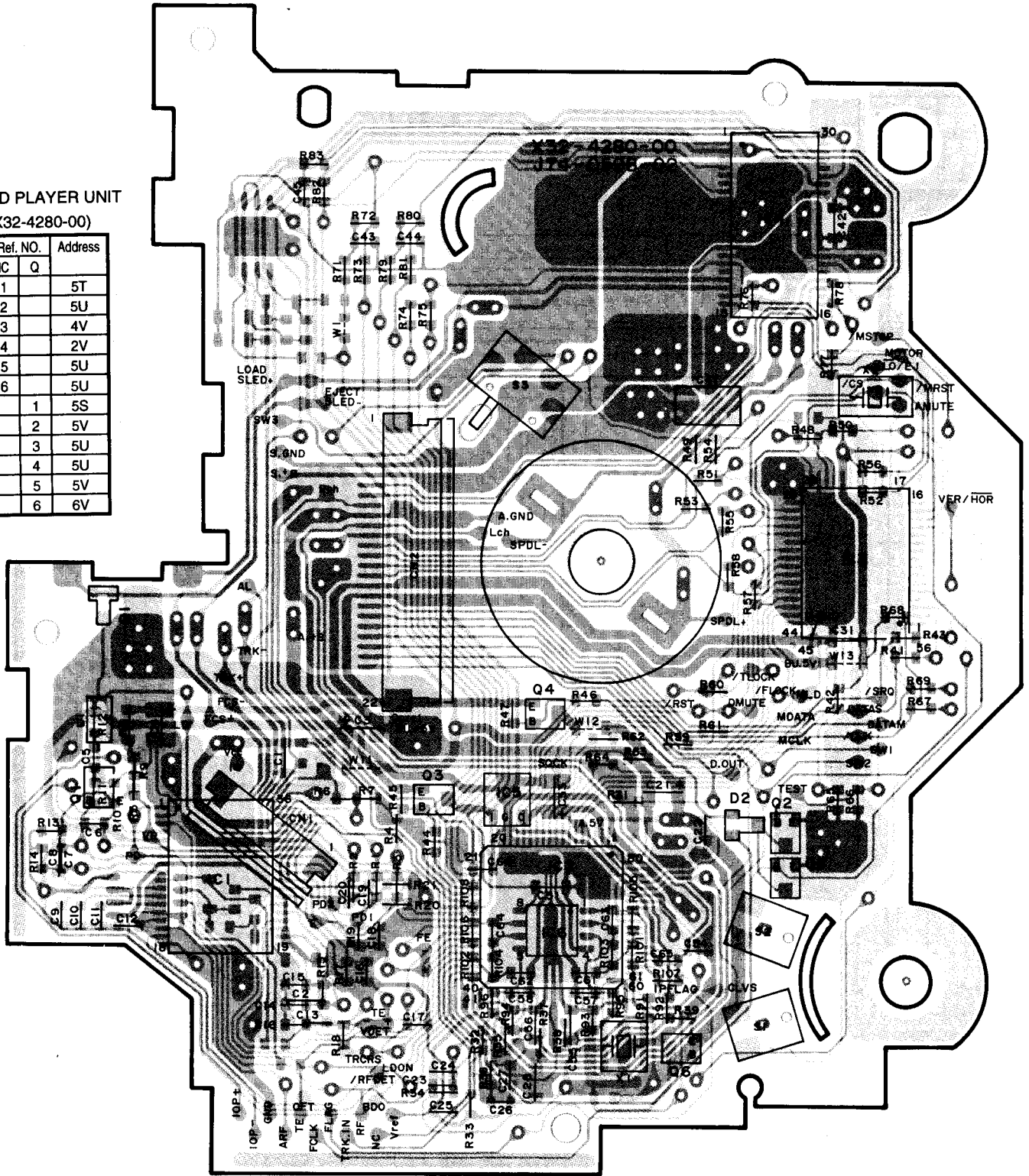
Ref. NO.	IC	Q	Address
1			5P
2			5N
3			3N
4			2N
5			3N
6			3N
7			4P
8			5O
9			6M
	1		4Q
	2		5Q
	3		4P
	4		4P
	5		3O
	6		3O
	7		5Q
	8		6Q
	9		6Q
	10		6Q
	11		6Q
	14		6O
	15		6O
	16		4Q
	17		4P
	18		4P
	19		3Q
	20		3Q
	21		4P
	22		3P
	24		5Q
	25		5P
	26		3Q
	27		4P
	28		4P
	29		3Q
	30		5N
	31		5N
	32		5M
	33		4P
	34		3O
	35		3Q
	36		3Q
	37		3Q
	38		3Q
	40		6N
	50		5O
	51		4O
	52		5O
	53		5O
	64		4P
	65		5M
	70		5M
	71		5M
	73		5M
	74		5M
	75		5M
	76		5M
	77		5M
	54		5M
	55		5N
	56		3M
	57		3M
	58		4O
	59		4O
	61		4N
	62		4M
	63		4P

PC BOARD (Component side view)

CD PLAYER UNIT (X32-4280-00)

CD PLAYER UNIT (X32-4280-00)

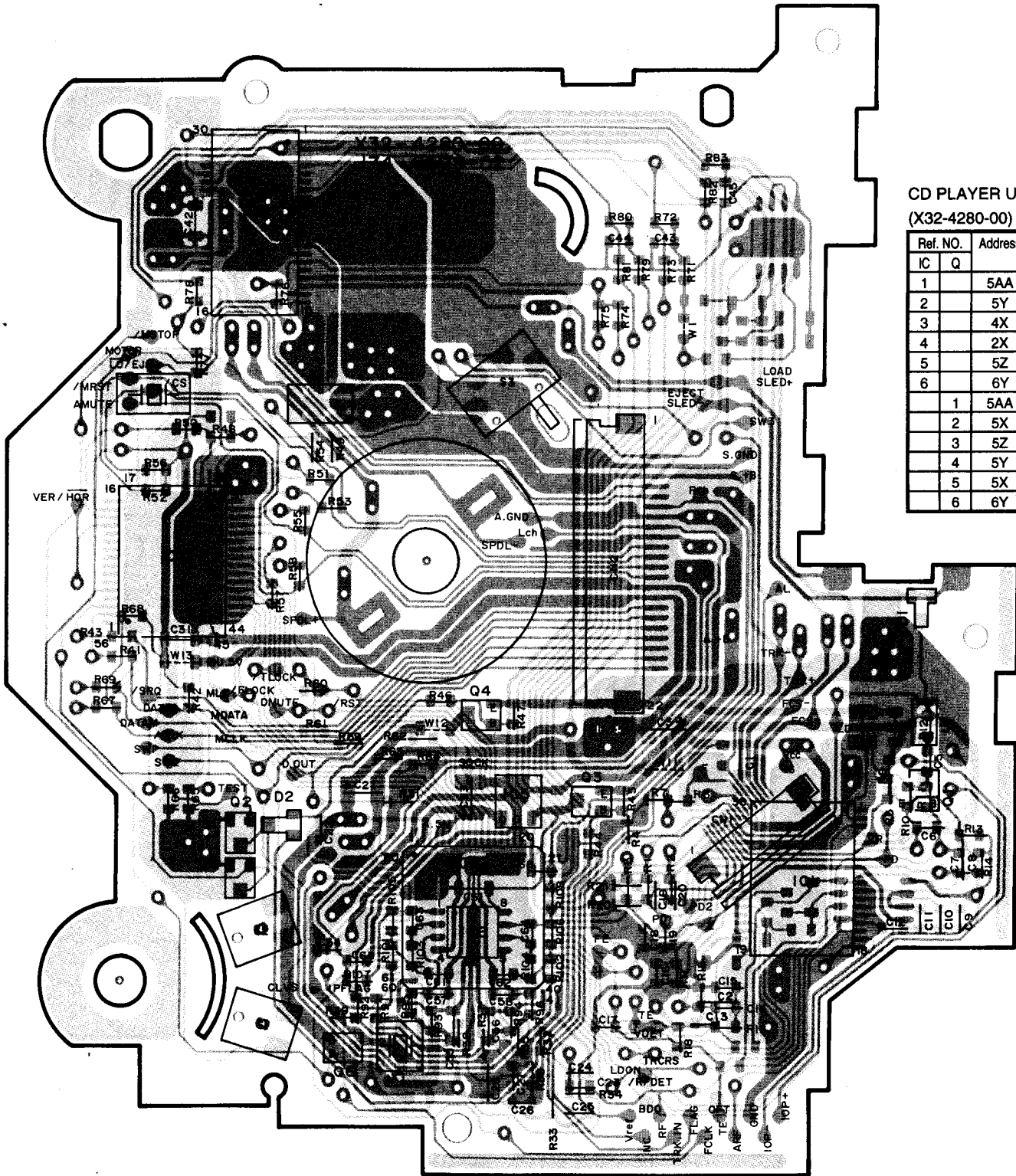
Ref. NO.	Address
IC Q	
1	5T
2	5U
3	4V
4	2V
5	5U
6	5U
1	5S
2	5V
3	5U
4	5U
5	5V
6	6V



Refer to the schematic diagram for the values of resistors and capacitors.

PC BOARD (Foil side view)

CD PLAYER UNIT (X32-4280-00)



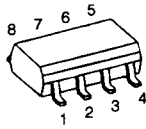
CD PLAYER UNIT (X32-4280-00)

Ref. NO.	IC	Q	Address
1			5AA
2			5Y
3			4X
4			2X
5			5Z
6			6Y
	1		5AA
	2		5X
	3		5Z
	4		5Y
	5		5X
	6		6Y

Refer to the schematic diagram for the values of resistors and capacitors.

DTA114EK
DTA114YK
DTA124EK
DTB123YK
DTC114TK
DTC114YK
DTC124EK
DTC143TK
DTC144EK
2SA1362
2SC2412K

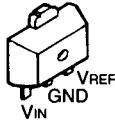
NJM4565MD



DAN202K



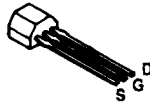
TA78L05F



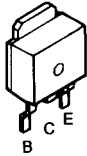
DA204K



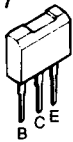
2SK669



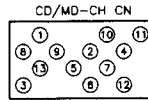
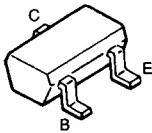
2SB1184



2SB1277

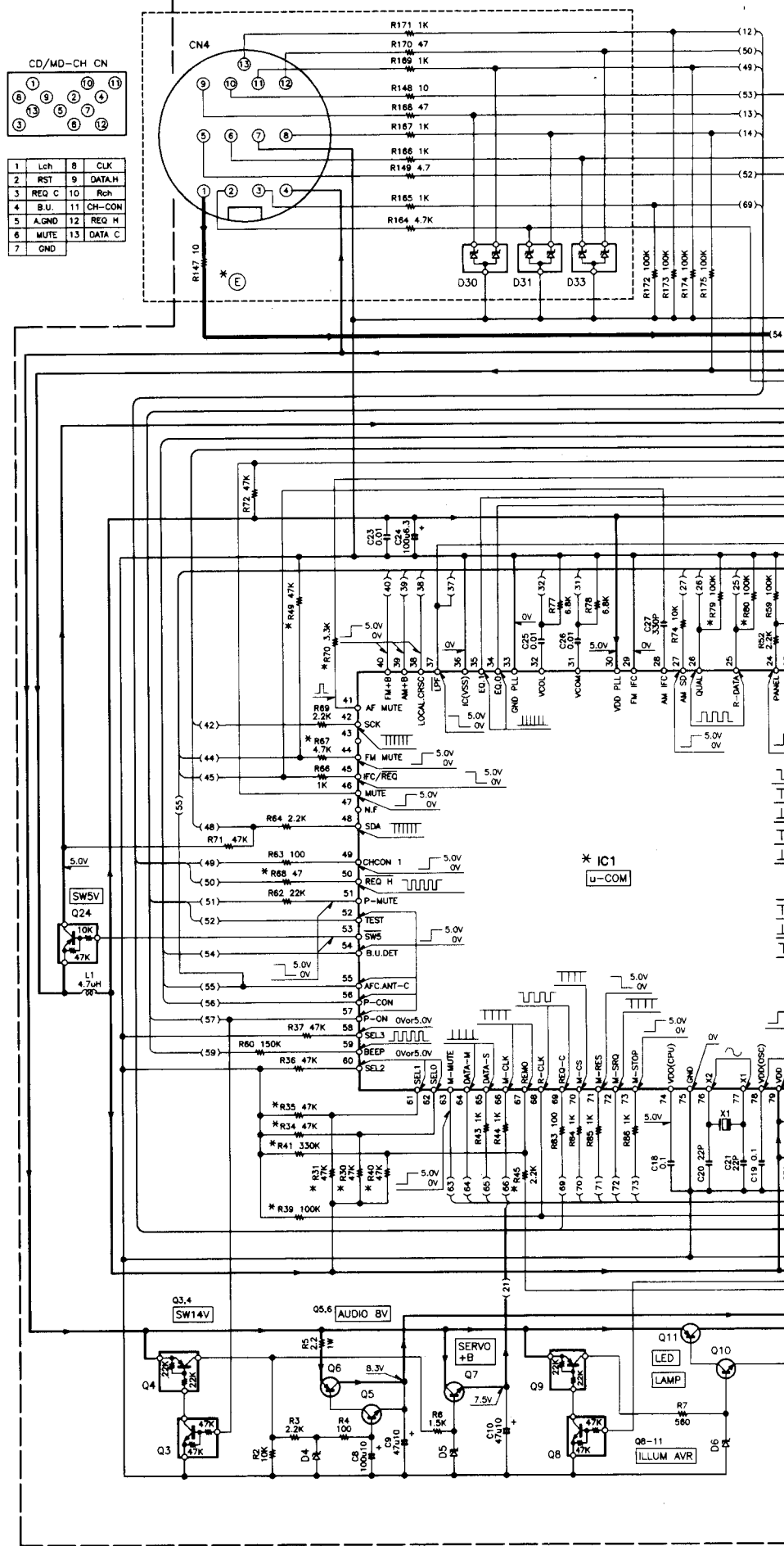


2SA1037K



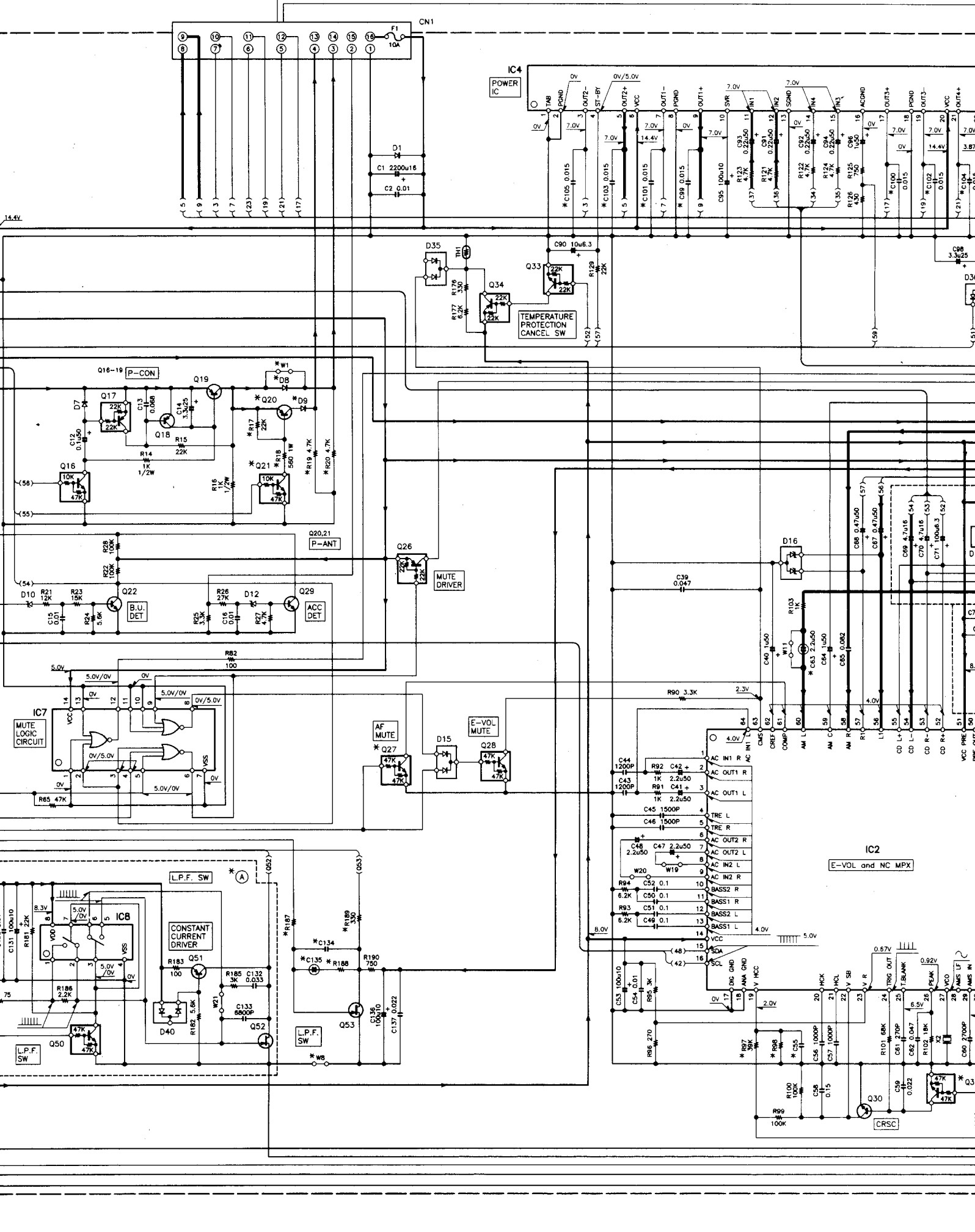
1	Lch	8	CLK
2	RST	9	DATA.H
3	REQ C	10	Rch
4	B.U.	11	CH-CON
5	A.GND	12	REQ.H
6	MUTE	13	DATA.C
7	GND		

(X25-791X-XX)



DC voltages are as measured with a high impedance voltmeter. Values may vary slightly due to variations between individual instruments or/and units.

CAUTION: For continued safety, replace safety critical components only with manufacturer's recommended parts (refer to parts list). Δ indicates safety critical components. To reduce the risk of electric shock, leakage-current or resistance measurements shall be carried out (exposed parts are acceptably insulated from the supply circuit) before the appliance is returned to the customer.



14.4V

CN1

IC4
POWER IC

TEMPERATURE PROTECTION CANCEL SW

Q16-19 P-CON

Q17

Q18

Q19

Q20

Q21

Q22

Q26 MUTE DRIVER

Q27 AF MUTE

Q28 E-VOL MUTE

Q29 ACC DET

Q33

Q34

IC7 MUTE LOGIC CIRCUIT

Q27

Q28

CONSTANT CURRENT DRIVER

Q51

Q52

Q53

Q54

Q55

Q56

Q57

Q58

Q59

Q60

Q61

Q62

Q63

Q64

Q65

Q66

Q67

Q68

Q69

Q70

Q71

Q72

Q73

Q74

Q75

Q76

Q77

Q78

Q79

Q80

Q81

Q82

Q83

Q84

Q85

Q86

Q87

Q88

Q89

Q90

Q91

Q92

Q93

Q94

Q95

Q96

Q97

Q98

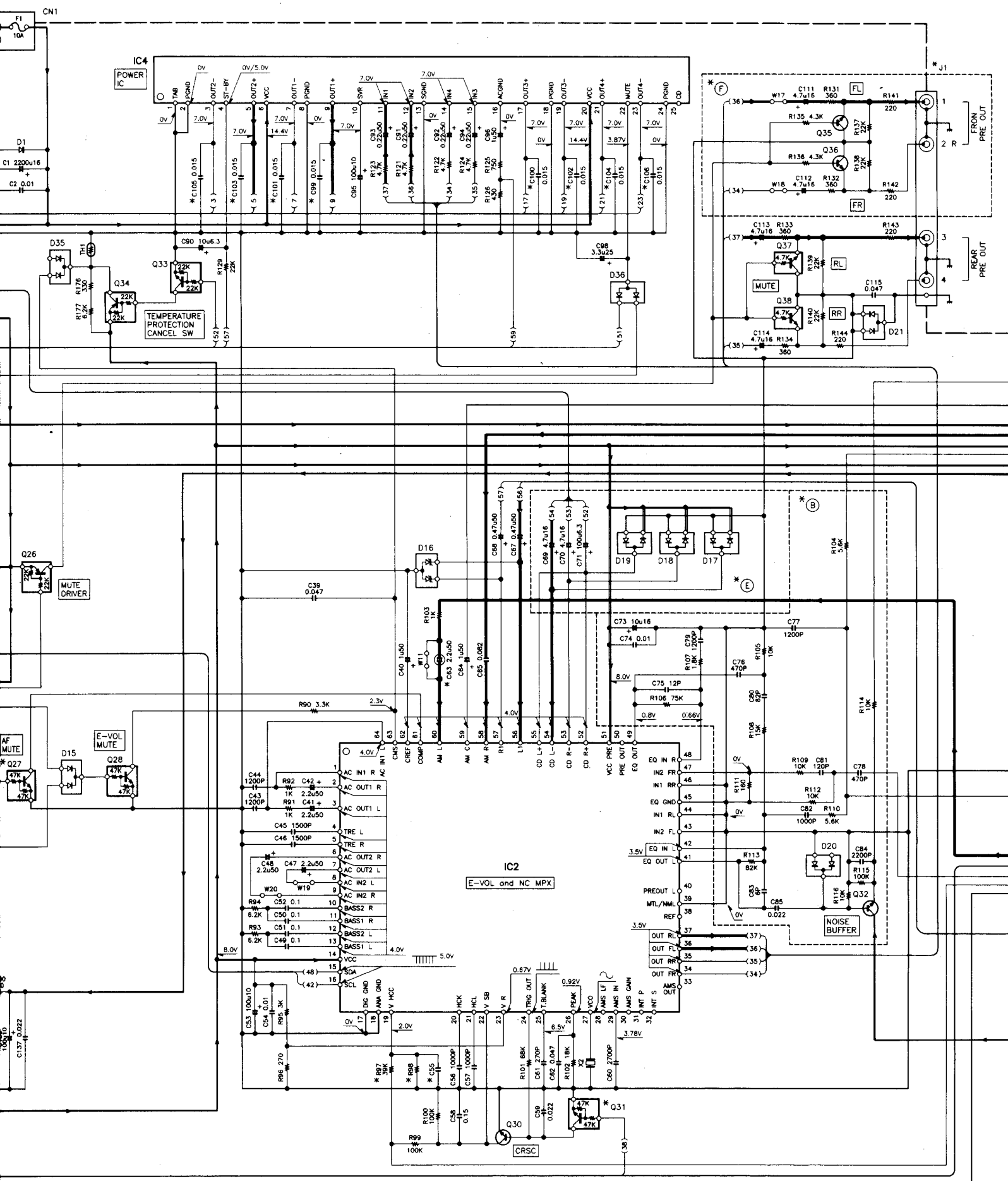
Q99

Q100

IC2
E-VOL and NC MPX

IC3
CRSC

3



IC4
POWER IC

IC2
E-VOL and NC MPX

TEMPERATURE PROTECTION CANCEL SW

MUTE DRIVER

AF MUTE

E-VOL MUTE

NOISE BUFFER

FRONT PRE OUT

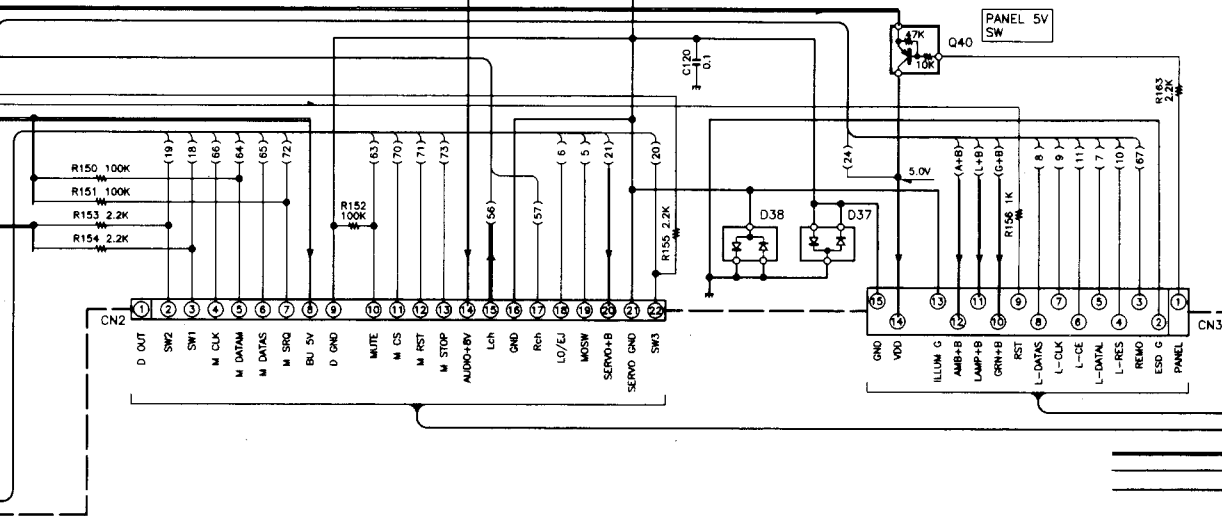
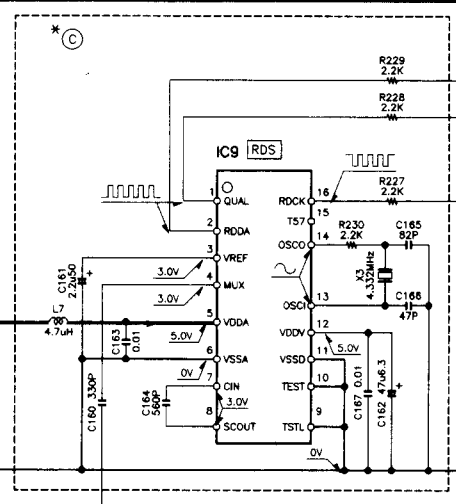
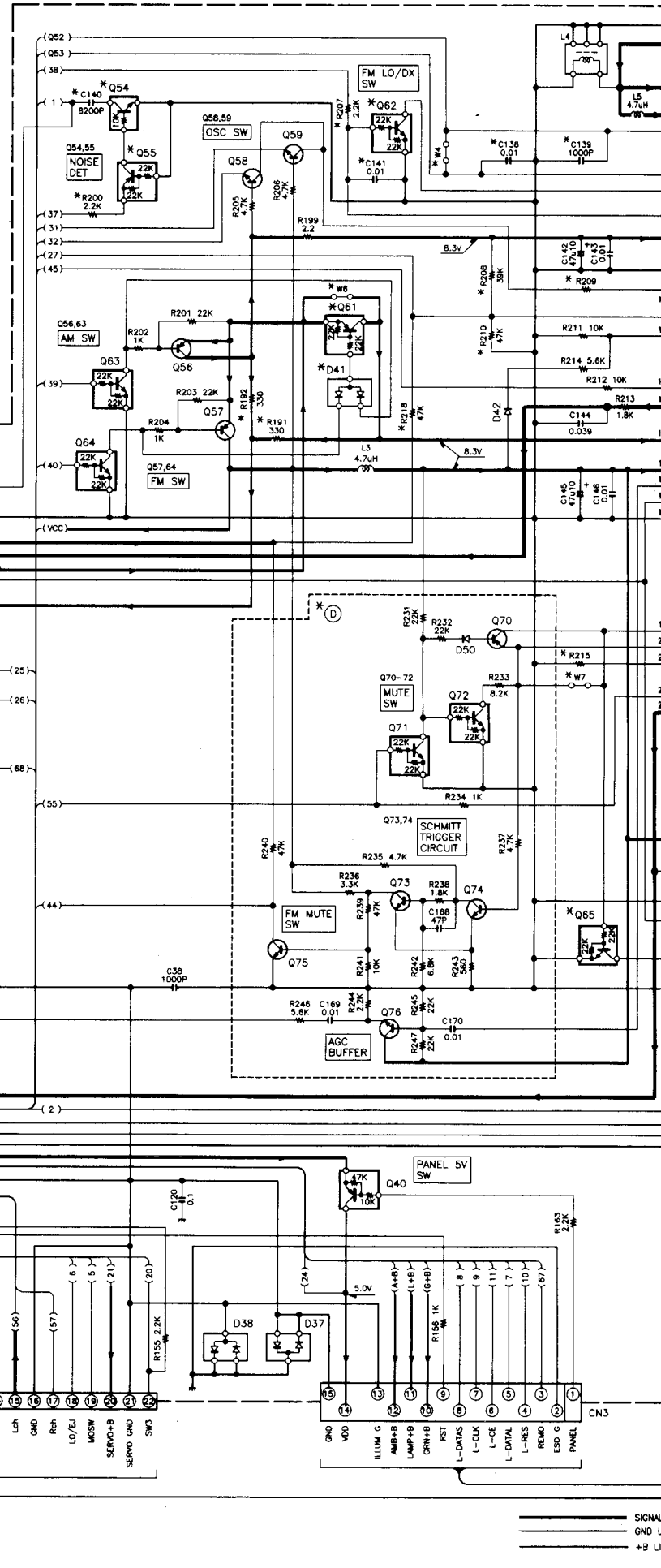
REAR PRE OUT

CRSC

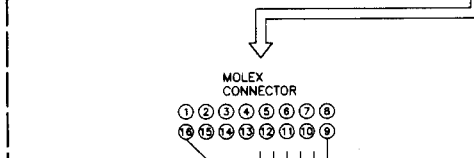
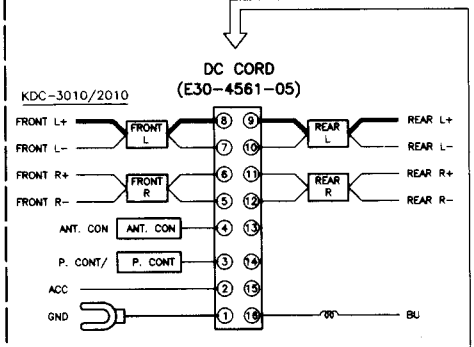
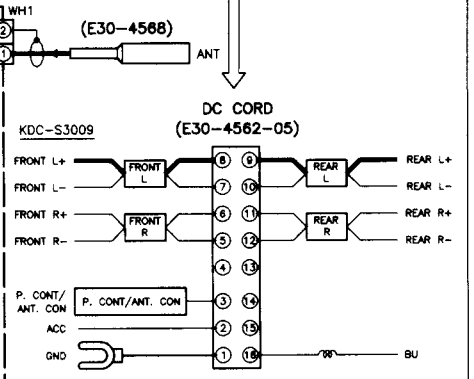
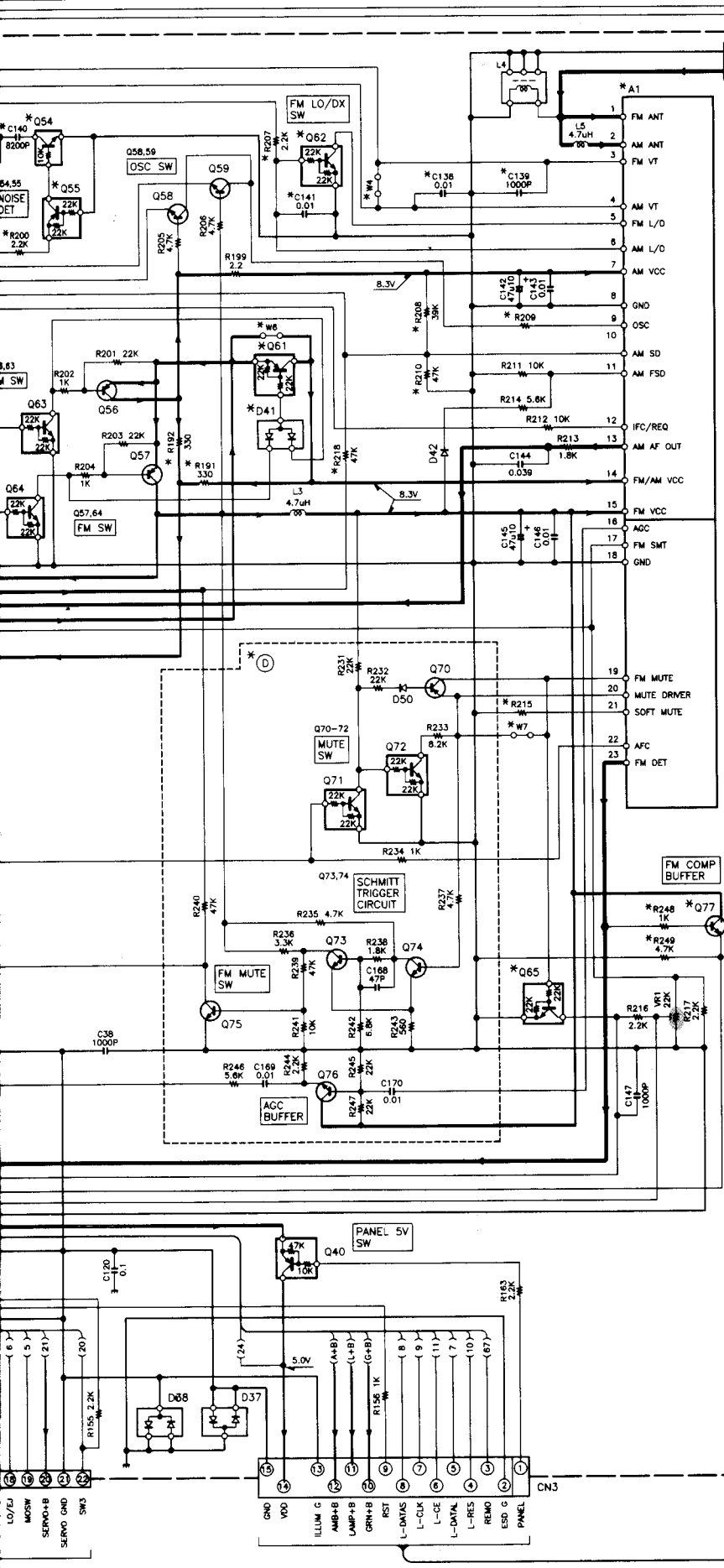
MODEL NAME	DESTINATION		UNIT NO.	A					A1	C28	C55	C63,99-106, 139-141	C134	C135	C138
	COUNTRY	ABB		(A)	(B)	(C)	(D)	(E)							
KDC-3210	GENERAL MARKET	M	0-21											YES	
KDC-5309	U.S.A.	K	0-11						W02-1577	YES	0.1	NO	0.1	2.2u50	NO
KDC-2010	GENERAL MARKET	M	0-22											YES	
KDC-4060RG	EUROPE	E	2-70											NO	
KDC-4060RYG	EUROPE	E	2-72						W02-1514	NO	0.01	YES	0.068	0.47u50	NO
KDC-4060RA	EUROPE	E	2-71											NO	
KDC-4060RYA	EUROPE	E	2-73											NO	

UNIT NO.	D8	D9	D41	IC1	J1	Q20, 21	Q27,54, 55,62,77	Q31, 65	Q35, 36	Q61	R17-19,35	R20,31, 189	R30,48,68,192,200, 207,218,248,249
0-21	NO	YES	NO		E63-0828	YES	NO	NO	YES	NO	YES	NO	NO
0-11	YES	NO	YES	UPD1780168GC517		NO	NO	YES	YES	NO	NO	YES	NO
0-22	NO	YES				YES				YES	NO	NO	
2-70					E63-0842			NO	NO				
2-72	YES	NO	NO	UPD1780168GC511		NO	YES	NO	NO	NO	NO	YES	YES
2-71													
2-73													

UNIT NO.	R34,39,48,79, 80,191,208,210	R40	R41,45, 68,68,131	R97	R98	R187	R188	R209	R215	W1, 8	W2	W3	W4,7, 11	W6
0-21	NO	NO	YES						6.8K	YES			YES	YES
0-11	YES	NO	NO	YES	150K	1K	560	47	3.3K	NO	NO	YES	YES	NO
0-22	NO	YES	NO						6.8K	YES			NO	NO
2-70													NO	NO
2-72				W12	180K	2.2K	4.7K	150	22K	NO	YES	NO	NO	YES
2-71	NO	YES	NO											
2-73														



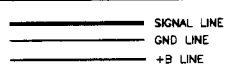
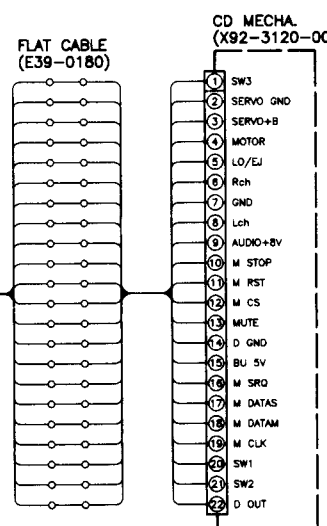
SIGNAL
GND
+B L



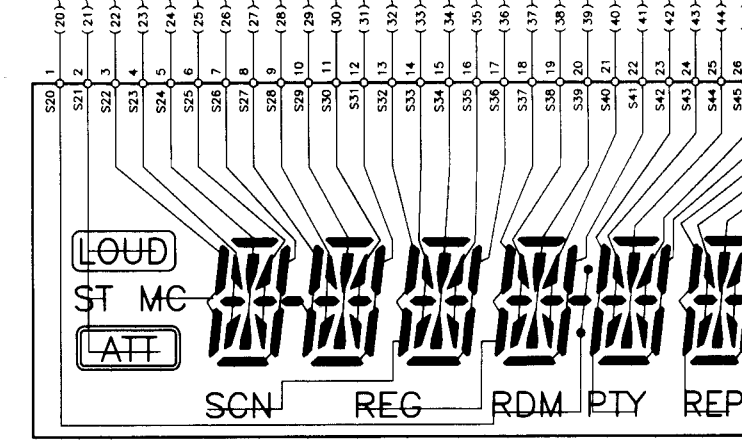
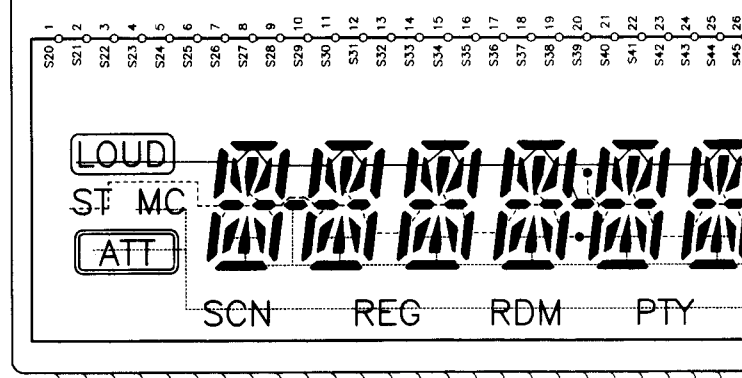
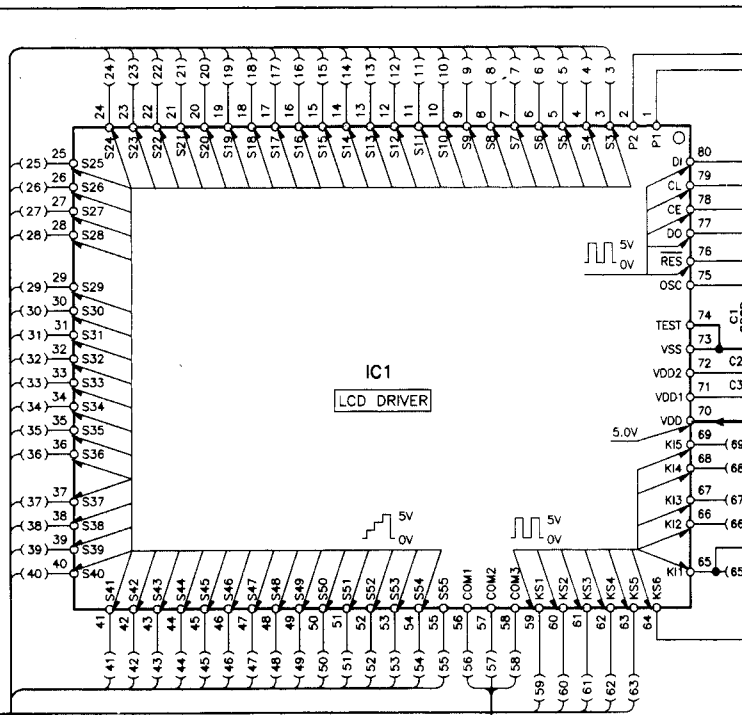
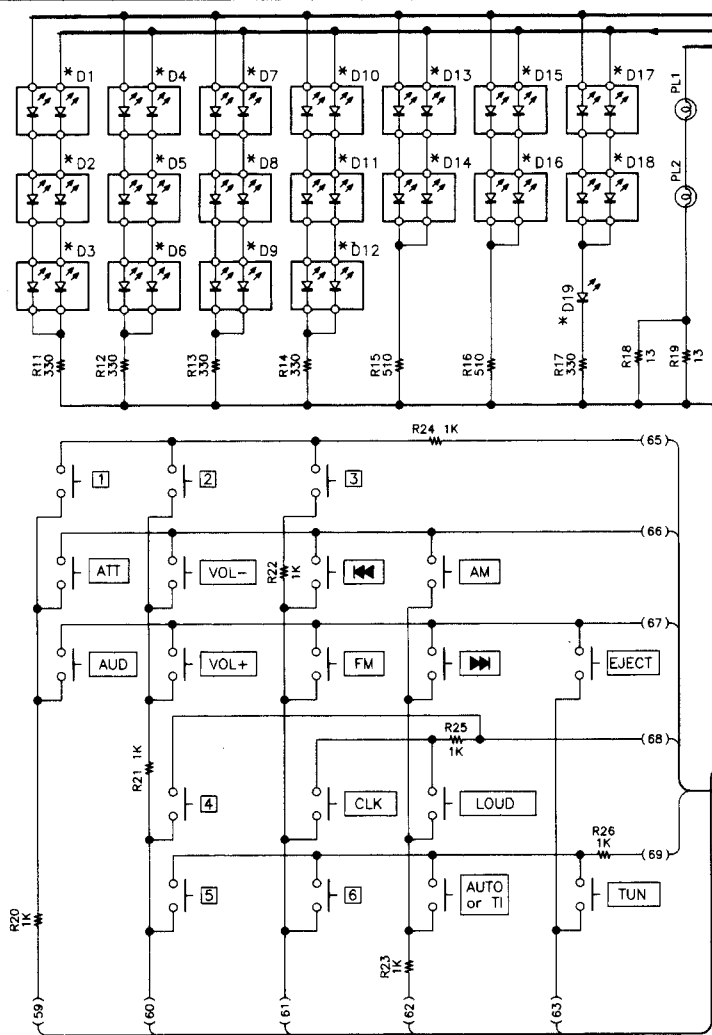
MOLEX	ISO	FUNCTION
1	A-8	GND
2	A-4	ACC
3	A-5	P. CONT
4		N. C
5	B-3	FRONT R(+)
6	B-4	FRONT R(-)
7	B-6	FRONT L(-)
8	B-5	FRONT L(+)
9	B-7	REAR L(+)
10	B-8	REAR L(-)
11	B-2	REAR R(-)
12	B-1	REAR R(+)
13		N. C
14		N. C
15		N. C
16	A-7	BU

- IC1 : *
- IC2 : TDA7420
- IC4 : TDA7384A
- IC7 : HD74HC27FP
- IC8 : TC4W66F
- IC9 : SAA6579T


- Q1,5,10,22,29,30,32, 35,36,58,59,73-77 : 2SC2412K or 2SD601A
- Q2 : 2SB1565F(E,F)
- Q3,8,27,28,31,50,65 : UN2213 or DTC144EK
- Q4,9,17,26,34,55 : UN2112 or DTA124EK
- Q6,11 : 2SB1184
- Q7 : 2SD2396F40
- Q16,21 : UN2214 or DTC114YK
- Q18,51,70 : 2SA1037K
- Q19,20,56,57 : 2SB1277(Q,R)
- Q24,40 : UN2114 or DTA114YK
- Q25,33,62-64,71,72 : UN2212 or DTC124EK
- Q37,38 : UN2216 or DTC143TK
- Q52,53 : 2SK669
- Q54 : UN2215 or DTC114TK
- Q61 : DTB123YK
- D1 : RM10ZLF
- D2 : S5566B
- D3,10,12 : MA4056(N)-M
- D4 : MA4091(N)-L
- D5 : MA4082(N)-L
- D6 : RD-11J5(B1)
- D7,42,50 : 1SS133
- D8,9 : AM01Z or ERA15-01
- D14 : B30-1424-05
- D15,20,35 : MA152WK or DAN202K
- D16 : MA3068WA
- D17-19,21,37,38,40 : DA204K
- D30,31,33 : MA3062WA
- D36,41 : MA152WA or DAP202K



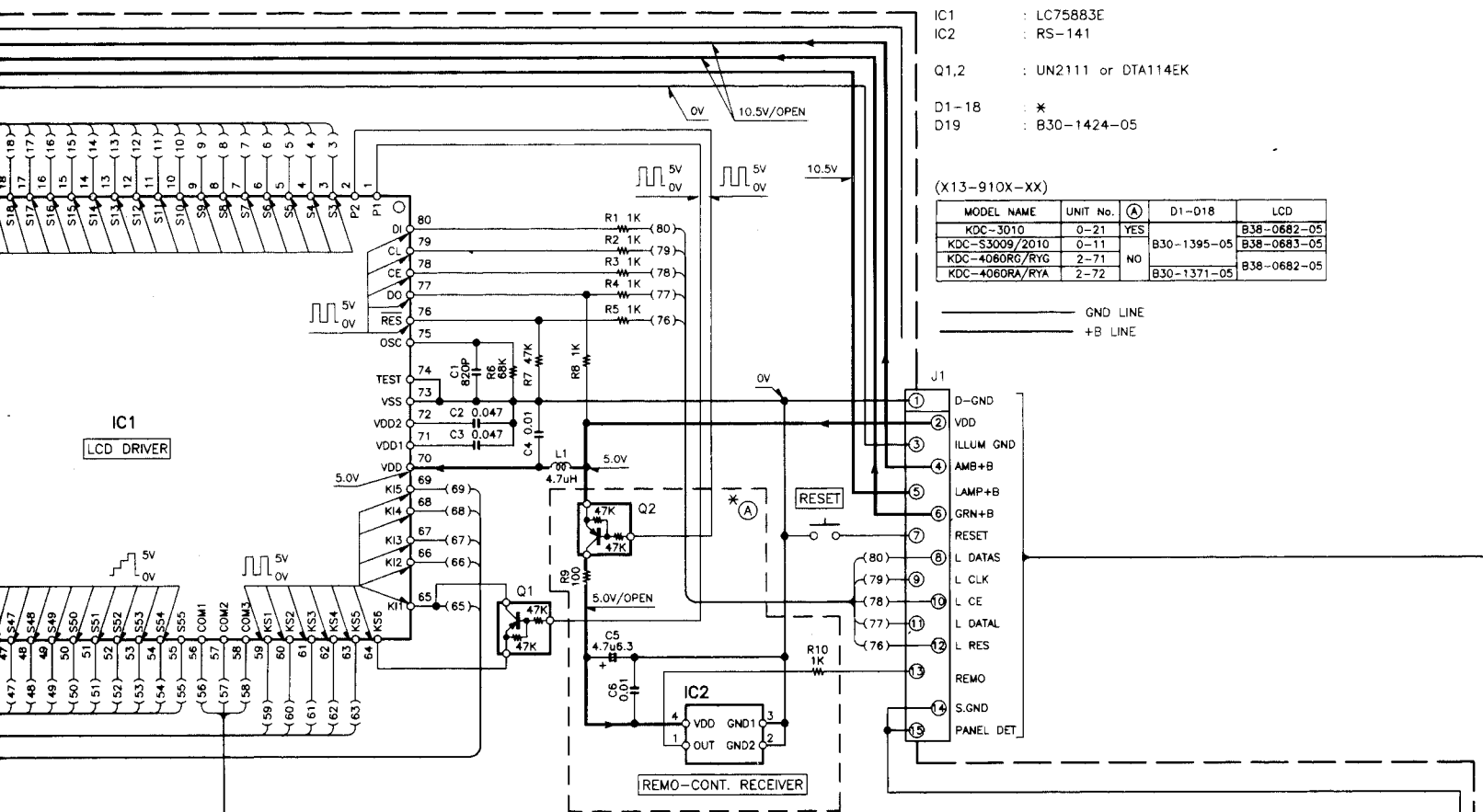
SWITCH UNIT(X13-910X-XX)



X25-CN3
1/2
A

CAUTION: For continued safety, replace safety critical components only with manufacturer's recommended parts (refer to parts list).  indicates safety critical components. To reduce the risk of electric shock, leakage-current or resistance measurements shall be carried out (exposed parts are acceptably insulated from the supply circuit) before the appliance is returned to the customer.

DC voltages are as measured with a high impedance voltmeter. Values may vary slightly due to variations between individual instruments or/and units.

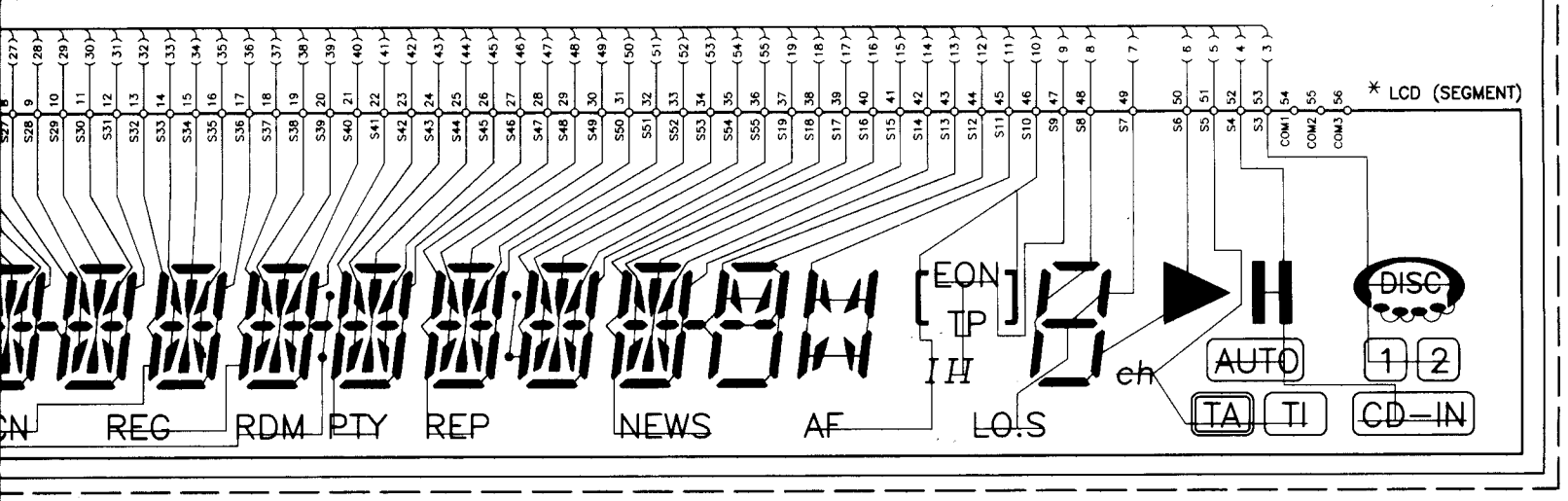
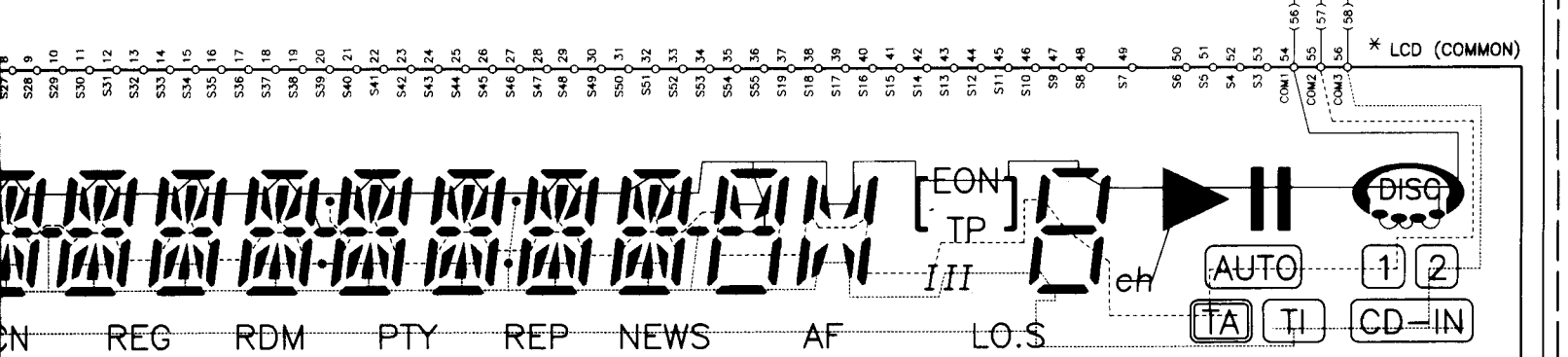


- IC1 : LC75883E
- IC2 : RS-141
- Q1,2 : UN2111 or DTA114EK
- D1-18 : *
- D19 : B30-1424-05

(X13-910X-XX)

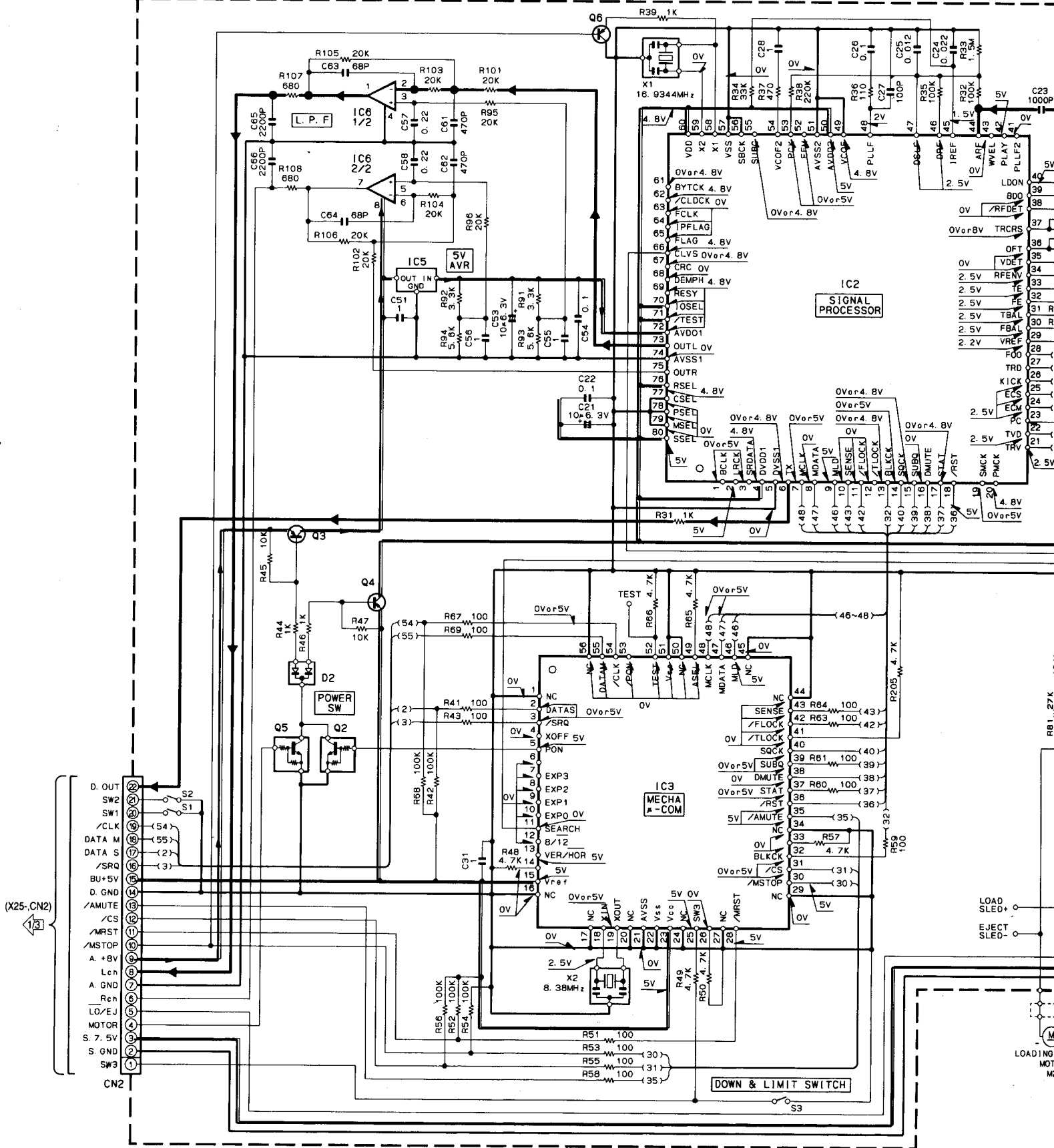
MODEL NAME	UNIT No.	Ⓐ	D1-018	LCD
KDC-3010	0-21	YES	B30-1395-05	B38-0682-05
KDC-S3009/2010	0-11	NO	B30-1395-05	B38-0683-05
KDC-4060RG/RYG	2-71	NO	B30-1371-05	B38-0682-05
KDC-4060RA/RYA	2-72	NO	B30-1371-05	B38-0682-05

— GND LINE
 — +B LINE



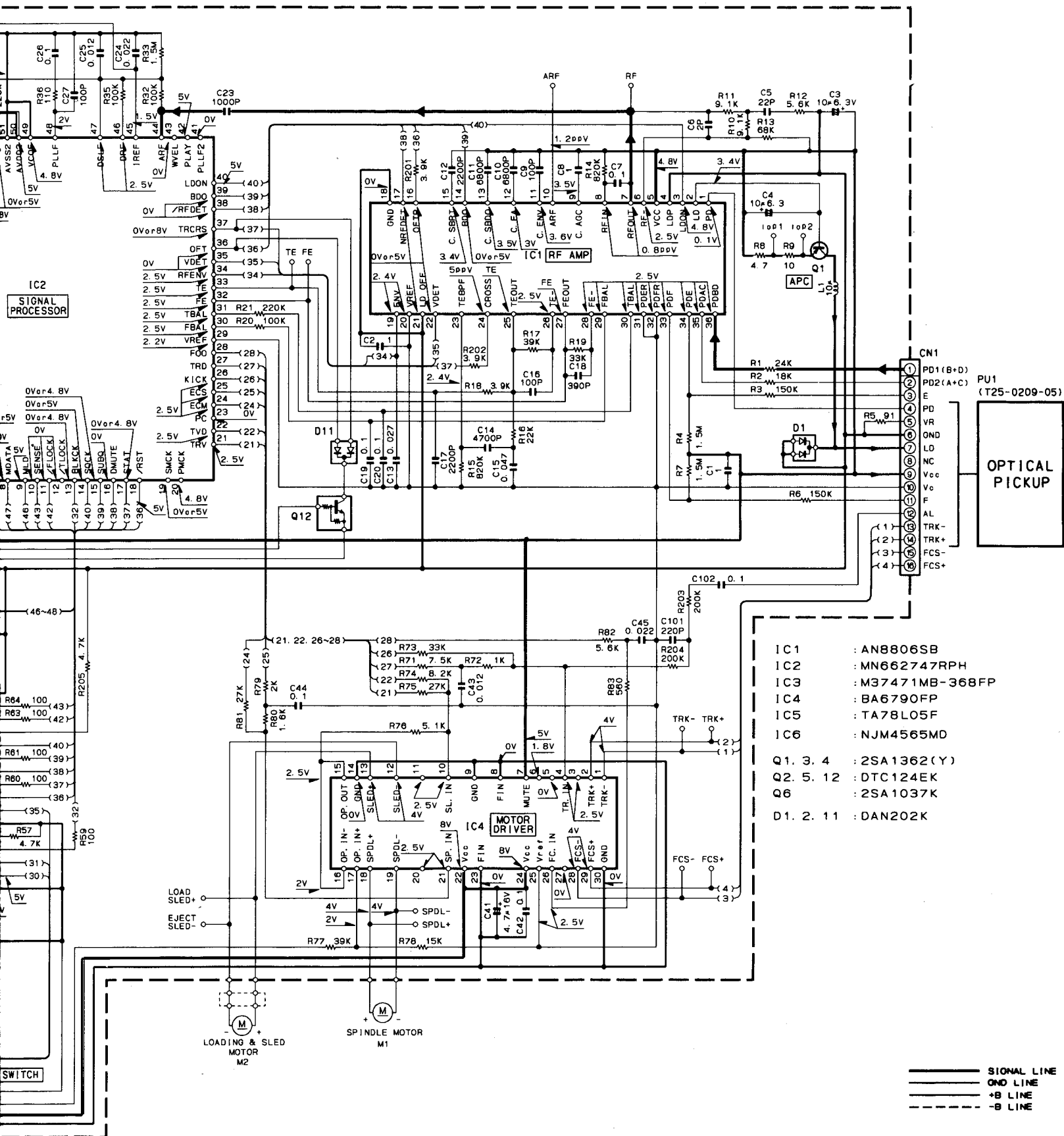
Impedance voltmeter.
 between individual instru-

CD PLAYER UNIT (X32-4280-00)



DC voltages are as measured with a high impedance voltmeter. Values may vary slightly due to variations between individual instruments or/and units.

CAUTION: For continued safety, replace safety critical components only with manufacturer's recommended parts (refer to parts list). \triangle indicates safety critical components. To reduce the risk of electric shock, leakage-current or resistance measurements shall be carried out (exposed parts are acceptably insulated from the supply circuit) before the appliance is returned to the customer.

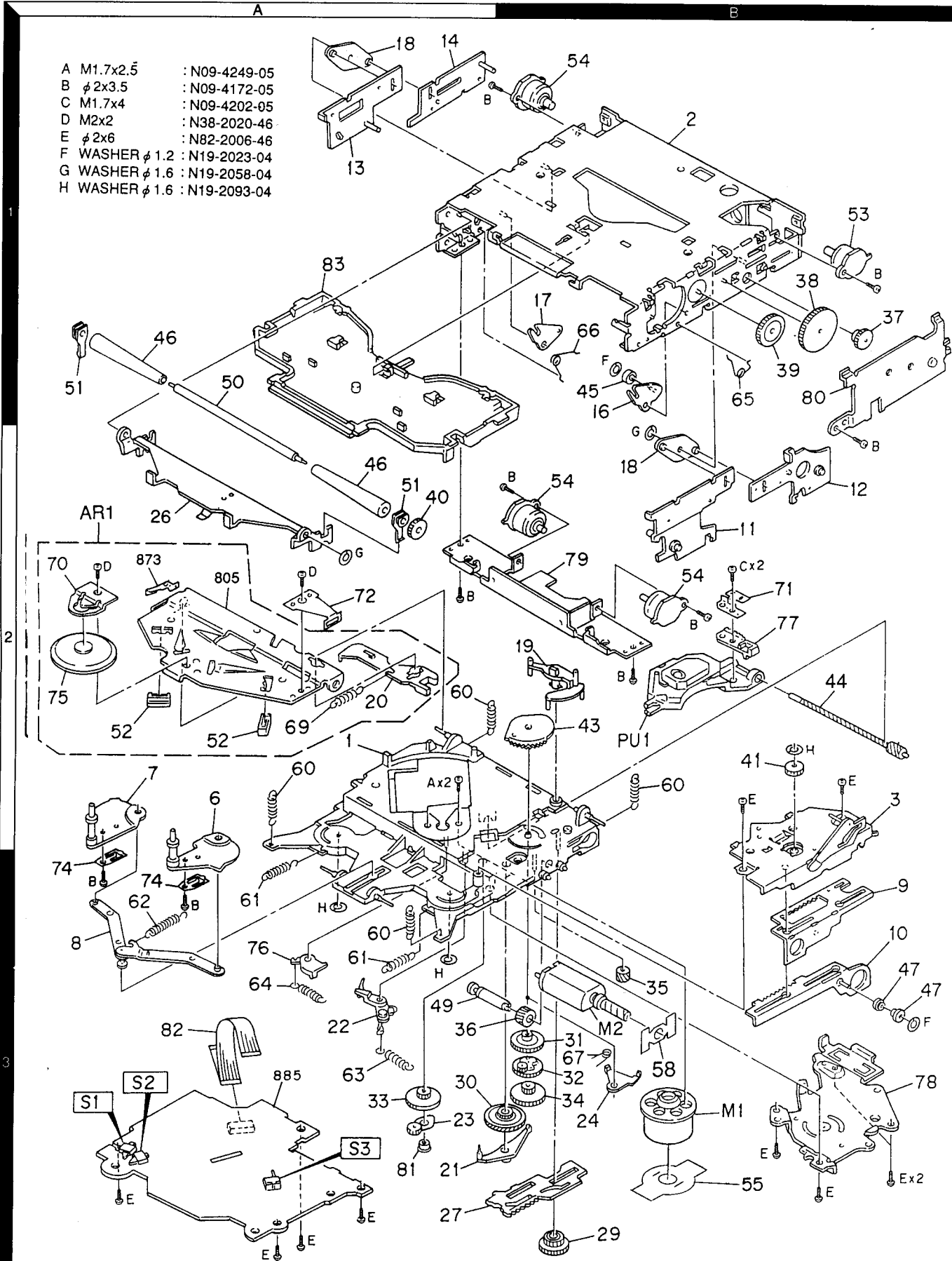


any critical com-
 ed parts (refer
 omponents. To
 nt or resistance
 parts are accept-
 the appliance is

KDC-S3009/3010/2010/4060R

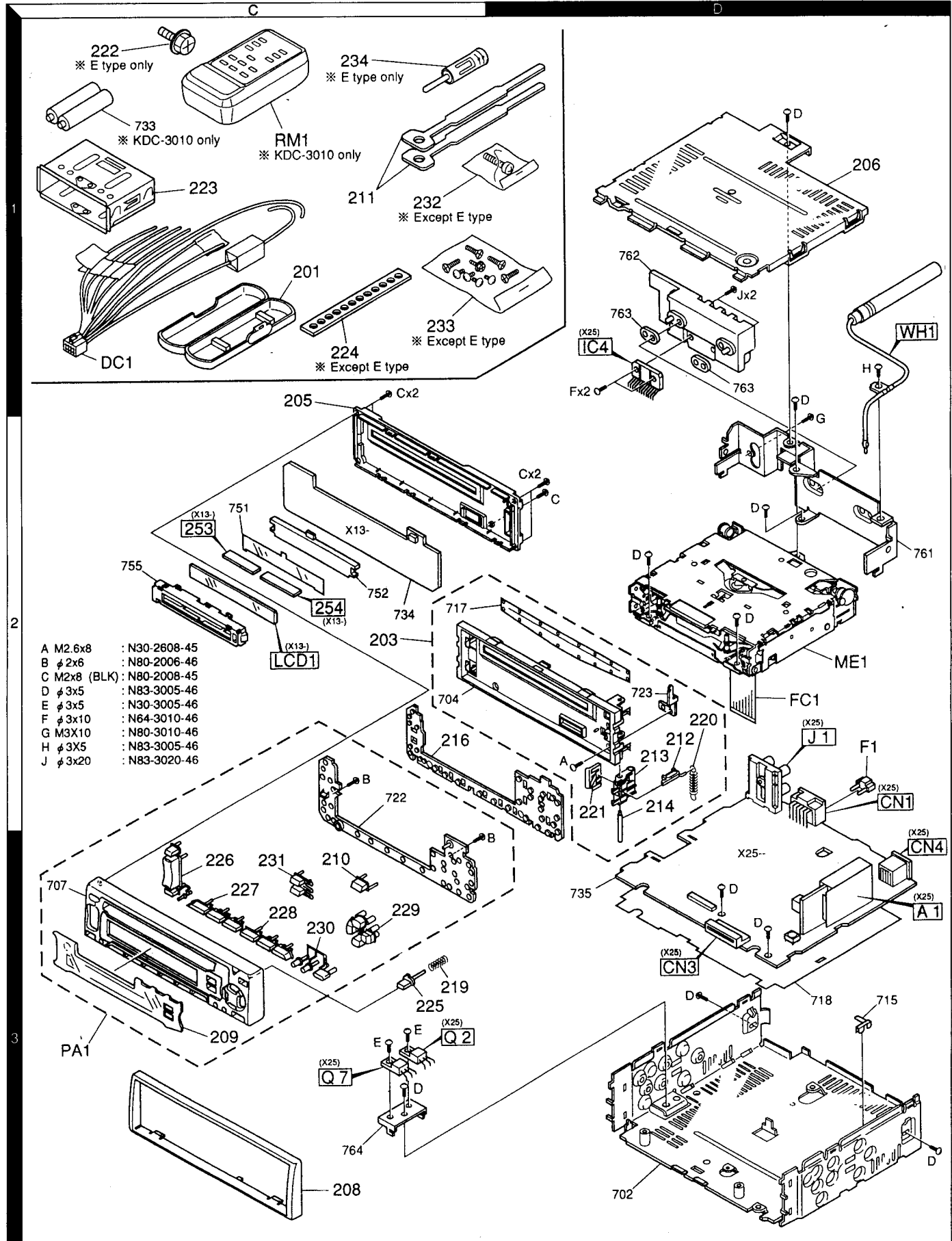
EXPLODED VIEW (MECHANISM)

- | | | |
|---|-------------|---------------|
| A | M1.7x2.5 | : N09-4249-05 |
| B | φ2x3.5 | : N09-4172-05 |
| C | M1.7x4 | : N09-4202-05 |
| D | M2x2 | : N38-2020-46 |
| E | φ2x6 | : N82-2006-46 |
| F | WASHER φ1.2 | : N19-2023-04 |
| G | WASHER φ1.6 | : N19-2058-04 |
| H | WASHER φ1.6 | : N19-2093-04 |



KDC-S3009/3010/2010/4060R

EXPLODED VIEW (UNIT)



Parts with the exploded numbers larger than 700 are not supplied.

KDC-S3009/3010/2010/4060R

PARTS LIST

*New Parts

Parts without **Parts No.** are not supplied.

Les articles non mentionnés dans le **Parts No.** ne sont pas fournis.

Teile ohne **Parts No.** werden nicht geliefert.

Ref.No.	A d d	N e w	Parts No.	Description	Desti- nation
KDC-S3009/3010/2010/4060RG/RA/RYG/RYA					
201	1C		A02-1466-03	PLASTIC CABINET ASSY	
203	2C		A22-1279-13	SUB PANEL ASSY	
205	2C		A46-1259-11	REAR COVER	
206	1D		A52-0706-02	TOP PLATE	
PA1	3C	*	A64-1180-02	PANEL ASSY (KDC-S3009)	K1
PA1	3C	*	A64-1181-02	PANEL ASSY (KDC-3010)	M1
PA1	3C	*	A64-1182-02	PANEL ASSY (KDC-2010)	M2
PA1	3C	*	A64-1183-02	PANEL ASSY (KDC-4060R)	E
RM1	1C	*	A70-0872-05	REMOTE CONTROLLER ASSY(3010)	M1
208	3C	*	B07-2124-02	ESCUTCHEON	
209	3C	*	B10-2809-01	FRONT GLASS (KDC-S3009)	K1
209	3C	*	B10-2810-01	FRONT GLASS (KDC-3010)	M1
209	3C	*	B10-2811-01	FRONT GLASS (KDC-2010)	M2
209	3C	*	B10-2812-01	FRONT GLASS (KDC-4060R)	E
210	3C		B10-1735-04	FRONT GLASS(REMO.) (KDC-3010)	M1
-			B46-0100-50	WARRANTY CARD	
-			B46-0172-13	QUESTIONNAIRE CARD(KDC-S3009)	K1
-			B46-0182-14	ID CARD (KDC-4060RA)	E2
-			B46-0606-04	ID CARD (KDC-4060RG/RYG/RYA)	E1E3E4
-			B46-0606-04	ID CARD(KDC-3010, 2010, S3009)	M1M2K1
-		*	B64-1055-00	INST. MANUAL (ENG, FRE, SPA)	K1
-		*	B64-1056-00	INST. MANUAL (POR)	K1
-		*	B64-1057-00	INST. MANUAL (ENG, CHI)	M1M2
-		*	B64-1060-00	INST. MANUAL (ENG, FRE)	E1E2
-		*	B64-1061-00	INST. MANUAL (GER, DUT, ITA)	E1E2
-		*	B64-1062-00	INST. MANUAL (SPA, POR)	E1E2
-		*	B64-1106-00	INST. MANUAL (ENG, RUS, POL.)	E3E4
-		*	B64-1107-00	INST. MANUAL (CZE, HUN)	E3E4
211	1C		D10-3031-04	LEVER	
212	2D		D10-4051-13	LEVER	
213	2D		D10-4052-03	LEVER	
214	3D		D21-2250-04	SHAFT	
216	2C		E29-1517-02	CONDUCTIVE RUBBER	
DC1	1C	*	E30-4561-05	DC CORD (KDC-3010, 2010)	M1M2
DC1	1C	*	E30-4562-05	DC CORD (KDC-S3009)	K1
DC1	1C	*	E30-4563-05	DC CORD (KDC-4060R)	E
FC1	2D		E39-0180-05	FLAT CABLE	
F1	2D		F52-0006-05	FUSE(MINI BLADE TYPE)(10A)	
219	3C		G01-2738-04	COMPRESSION SPRING	
220	2D		G01-2792-04	EXTENSION SPRING	
221	2D		G02-1244-03	FLAT SPRING	
-			H10-4546-02	POLYSTYRENE FOAMED FIXTURE	
-		*	H12-2622-04	PACKING FIXTURE (KDC-3010)	M1
-			H25-0329-04	PROTECTION BAG(280X450X0.03)	M1M2K1
-			H25-0337-04	PROTECTION BAG(180X300X0.03)	
-			H25-1111-04	PROTECTION BAG(280X450X0.03)	E
-		*	H54-0888-04	ITEM CARTON CASE (KDC-S3009)	K1
-		*	H54-0889-04	ITEM CARTON CASE (KDC-3010)	M1
-		*	H54-0890-04	ITEM CARTON CASE (KDC-2010)	M2
-		*	H54-0891-04	ITEM CARTON CASE(KDC-4060RG)	E1
-		*	H54-0892-04	ITEM CARTON CASE(KDC-4060RA)	E2

Ref.No.	A d d	N e w	Parts No.	Description	Desti- nation
-		*	H54-1084-04	ITEM CARTON CASE (4060RYG)	E3
-		*	H54-1085-04	ITEM CARTON CASE (4060RYA)	E4
223	1C		J21-7630-33	MOUNTING HARDWARE ASSY	
224	1C		J54-0606-04	STAY (KDC-3010, 2010, S3009)	M1M2K1
225	3C		K24-1763-04	KNOB(RELEASE)	
226	2C		K25-0786-03	KNOB(AUD, VOL, ATT, RESET)	
227	3C		K25-0788-03	KNOB(PRE 1-3)	
228	3C		K25-0789-03	KNOB(PRE 4-6)	
229	3C		K25-0790-03	KNOB(FM, AM, UP, DOWN)	
230	3C		K25-0791-03	KNOB(AUTO, CLK, LOUD)	
231	3C		K25-0793-03	KNOB(EJECT, TUNE)	
222	1C		N09-1885-05	SEMS (MACHINE SCREW) (4060R)	E
232	1C		N99-1610-15	SCREW SET (3010, 2010, S3009)	M1M2K1
233	1C		N99-1632-05	SCREW SET (3010, 2010, S3009)	M1M2K1
A	2D		N30-2608-45	PAN HEAD MACHINE SCREW	
B	2C		N80-2006-46	PAN HEAD TAPTITE SCREW	
C	2D		N80-2008-45	PAN HEAD TAPTITE SCREW	
D	1D		N83-3005-46	PAN HEAD TAPTITE SCREW	
234	1C		T90-0512-05	ANTENNA ADAPTOR (KDC-4060R)	E
ME1	2D		X92-3120-00	MECHANISM ASSY	
SWITCH UNIT(X13-910X-XX)					
D1 -18			B30-1371-05	LED (KDC-4060RA/RYA)	E2E4
D1 -18			B30-1395-05	LED (KDC-3010, 2010, S3009)	M1M2K1
D1 -18			B30-1395-05	LED (KDC-4060RG/RYG)	E1E3
D19			B30-1424-05	LED	
LCD1	2C	*	B38-0682-05	LIQUID CRYSTAL (3010, 4060R)	M1E
LCD1	2C	*	B38-0683-05	LIQUID CRYSTAL (S3009, 2010)	K1M2
PL1 ,2			B30-1484-05	LAMP	
C1			CK73FB1H821K	CHIP C 820PF	K
C2 ,3			CK73FB1E473KTA	CHIP C 0.047UF	K
C4			CK73FB1H103K	CHIP C 0.010UF	K
C5			C92-0507-05	CHIP-TAN 4.7UF	6.3WV M1
C6			CK73FB1H103K	CHIP C 0.010UF	K M1
253	2C		E29-1518-04	CONDUCTIVE RUBBER(L)	
254	2C		E29-1519-04	CONDUCTIVE RUBBER(R)	
J1			E59-0824-05	RECTANGULAR PLUG	
L1			L40-4791-31	SMALL FIXED INDUCTOR(4.7UH)	
R1 -5			RK73FB2A102J	CHIP R 1.0K	J 1/10W
R6			RK73FB2A683J	CHIP R 68K	J 1/10W
R7			RK73FB2A473J	CHIP R 47K	J 1/10W
R8			RK73FB2A102J	CHIP R 1.0K	J 1/10W
R9			RK73FB2A101J	CHIP R 100	J 1/10W M1
R10			RK73FB2A102J	CHIP R 1.0K	J 1/10W M1
R11 -14			RK73EB2B331J	CHIP R 330	J 1/8W
R15 ,16			RK73EB2B511J	CHIP R 510	J 1/8W
R17			RK73EB2B331J	CHIP R 330	J 1/8W
R18 ,19			RK73EB2B130J	CHIP R 13	J 1/8W
R20 -26			RK73FB2A102J	CHIP R 1.0K	J 1/10W
IC1			LC75883E	MOS-IC	

[DESTINATION]

K1: KDC-S3009 M1: KDC-3010 M2:KDC-2010 E :KDC-4060RG/RA/RYG/RYA

E1: KDC-4060RG E2: KDC-4060RA E3:KDC-4060RYG E4:KDC-4060RYA

▲ indicates safety critical components.

KDC-S3009/3010/2010/4060R

PARTS LIST

*New Parts

Parts without Parts No. are not supplied.

Les articles non mentionnés dans le Parts No. ne sont pas fournis.

Teile ohne Parts No. werden nicht geliefert.

SWITCH UNIT(X13-910X-XX)

Ref.No.	A d d w	Parts No.	Description	Desti- nation
IC2		RS-141	ANALOGUE IC	M1
Q1		DTA114EK	DIGITAL TRANSISTOR	K1M2E
Q1		UN2111	DIGITAL TRANSISTOR	K1M2E
Q1 ,2		DTA114EK	DIGITAL TRANSISTOR	M1
Q1 ,2		UN2111	DIGITAL TRANSISTOR	M1
ELECTRIC UNIT(X25-79XX-XX)				
D14		B30-1424-05	LED	
C1		C90-2905-05	ELECTRO 2200UF 16WV	
C2		CK73FB1H103K	CHIP C 0.010UF K	
C3		CE04CW1C101M	ELECTRO 100UF 16WV	
C4		C90-2594-05	ELECTRO 10UF 10WV	
C5		CE04CW1C101M	ELECTRO 100UF 16WV	
C6		CE04CWOJ101M	ELECTRO 100UF 6.3WV	
C8		CE04CW1A101M	ELECTRO 100UF 10WV	
C9 ,10		CE04CW1A470M	ELECTRO 47UF 10WV	
C12		C90-2602-05	ELECTRO 0.10UF 50WV	
C13		CK73FB1E683KTA	CHIP C 0.068UF K	
C14		C90-2598-05	ELECTRO 3.3UF 25WV	
C15 ,16		CK73FB1H103K	CHIP C 0.010UF K	
C18 ,19		CK73FB1C104K	CHIP C 0.10UF K	
C20 ,21		CC73FCH1H220J	CHIP C 22PF J	
C23		CK73FB1H103K	CHIP C 0.010UF K	
C24		CE04CWOJ101M	ELECTRO 100UF 6.3WV	
C25 ,26		CK73FB1H103K	CHIP C 0.010UF K	
C27		CK73FB1H331K	CHIP C 330PF K	
C28		CK73FB1C104K	CHIP C 0.10UF K	M1M2K1
C31		CK73FB1H103K	CHIP C 0.010UF K	
C32		CK73FB1C104K	CHIP C 0.10UF K	
C38		CK73FB1H102K	CHIP C 1000PF K	
C39		CK73FB1E473KTA	CHIP C 0.047UF K	
C40		C90-2608-05	ELECTRO 1.0UF 50WV	
C41 ,42		C90-2610-05	ELECTRO 2.2UF 50WV	
C43 ,44		CK73FB1H122K	CHIP C 1200PF K	
C45 ,46		CK73FB1H152K	CHIP C 1500PF K	
C47 ,48		C90-2610-05	ELECTRO 2.2UF 50WV	
C49 -52		CK73FB1C104K	CHIP C 0.10UF K	
C53		CE04CW1A101M	ELECTRO 100UF 10WV	
C54		CK73FB1H103K	CHIP C 0.010UF K	M1M2K1
C54 ,55		CK73FB1H103K	CHIP C 0.010UF K	E
C55		CK73FB1C104K	CHIP C 0.10UF K	M1M2K1
C56 ,57		CK73FB1H102K	CHIP C 1000PF K	
C58		CK73FB1C154K	CHIP C 0.15UF K	
C59		CK73FB1H223KTA	CHIP C 0.022UF K	
C60		CK73FB1H272K	CHIP C 2700PF K	
C61		CC73FCH1H271J	CHIP C 270PF J	
C62		CK73FB1E473KTA	CHIP C 0.047UF K	
C63		C90-2525-05	NP-ELECT 2.2UF 35WV	E
C64		C90-2608-05	ELECTRO 1.0UF 50WV	
C65		CK73FB1C823K	CHIP C 0.082UF K	
C67 ,68		C90-2606-05	ELECTRO 0.47UF 50WV	
C69 ,70		C90-2595-05	ELECTRO 4.7UF 16WV	M1
C71		CE04CWOJ101M	ELECTRO 100UF 6.3WV	M1
C73		C90-2597-05	ELECTRO 10UF 16WV	E
C74		CK73FB1H103K	CHIP C 0.010UF K	E

Ref.No.	A d d w	Parts No.	Description	Desti- nation
C75		CC73FCH1H120J	CHIP C 12PF J	E
C76		CK73FB1H471K	CHIP C 470PF K	E
C77		CK73FB1H122K	CHIP C 1200PF K	E
C78		CK73FB1H471K	CHIP C 470PF K	E
C79		CK73FB1H122K	CHIP C 1200PF K	E
C80		CC73FCH1H820J	CHIP C 82PF J	E
C81		CC73FCH1H121J	CHIP C 120PF J	E
C82		CK73FB1H102K	CHIP C 1000PF K	E
C83		CC73FCH1H060D	CHIP C 6.0PF D	E
C84		CK73FB1H222K	CHIP C 2200PF K	E
C85		CK73FB1H223KTA	CHIP C 0.022UF K	E
C90		C90-2592-05	ELECTRO 10UF 6.3WV	
C91 -94		C90-2932-05	ELECTRO 0.22UF 50WV	
C95		CE04CW1A101M	ELECTRO 100UF 10WV	
C96		C90-2935-05	ELECTRO 1UF 50WV	
C98		C90-2598-05	ELECTRO 3.3UF 25WV	
C99 -106		CK73FB1H153KTA	CHIP C 0.015UF K	E
C111-114		C90-2595-05	ELECTRO 4.7UF 16WV	M1
C113, 114		C90-2595-05	ELECTRO 4.7UF 16WV	K1M2E
C115		CK73EB1H473K	CHIP C 0.047UF K	
C120		CK73EB1H104K	CHIP C 0.10UF K	
C130		CK73FB1H103K	CHIP C 0.010UF K	E
C131		CE04CW1A101M	ELECTRO 100UF 10WV	E
C132		C93-1062-05	CERAMIC 0.033UF K	E
C133		C93-1052-05	CERAMIC 6800PF K	E
C134		C93-1032-05	CERAMIC 0.10UF K	M1M2K1
C134		C93-1065-05	CERAMIC 0.068UF 16WV	E
C135		NP-2525-05	NP-ELECT 2.2UF 35WV	M1M2K1
C135		C90-2807-05	NP-ELEC 0.47UF 50WV	E
C136		CE04CW1A101M	ELECTRO 100UF 10WV	
C137		CK73FB1H223KTA	CHIP C 0.022UF K	
C138, 139		CK73FB1H103K	CHIP C 0.010UF K	M1M2
C139		CK73FB1H102K	CHIP C 1000PF K	E
C140		CK73FB1H822K	CHIP C 8200PF K	E
C141		CK73FB1H103K	CHIP C 0.010UF K	E
C142		CE04CW1A470M	ELECTRO 47UF 10WV	
C143		CK73FB1H103K	CHIP C 0.010UF K	
C144		CK73FB1E393KTA	CHIP C 0.039UF K	
C145		CE04CW1A470M	ELECTRO 47UF 10WV	
C146		CK73FB1H103K	CHIP C 0.010UF K	
C147		CK73FB1H102K	CHIP C 1000PF K	
C160		CC73FCH1H331J	CHIP C 330PF J	E
C161		C90-2610-05	ELECTRO 2.2UF 50WV	E
C162		CE04CWOJ470M	ELECTRO 47UF 6.3WV	E
C163		CK73FB1H103K	CHIP C 0.010UF K	E
C164		CK73FB1H561K	CHIP C 560PF K	E
C165		CC73FCH1H820J	CHIP C 82PF J	E
C166		CC73FCH1H470J	CHIP C 47PF J	E
C167		CK73FB1H103K	CHIP C 0.010UF K	E
C168		CC73FCH1H470J	CHIP C 47PF J	E
C169, 170		CK73FB1H103K	CHIP C 0.010UF K	E
△ CN1		E58-0836-05	RECTANGULAR RECEPTACLE	
CN2		E40-9550-05	FLAT CABLE CONNECTOR	
CN3		E58-0854-05	RECTANGULAR RECEPTACLE	

[DESTINATION]

K1: KDC-S3009 M1: KDC-3010 M2: KDC-2010 E: KDC-4060RG/RA/RYG/RYA
E1: KDC-4060RG E2: KDC-4060RA E3: KDC-4060RYG E4: KDC-4060RYA

△ indicates safety critical components.

KDC-S3009/3010/2010/4060R

PARTS LIST

*New Parts

Parts without **Parts No.** are not supplied.

Les articles non mentionnés dans le **Parts No.** ne sont pas fournis.

Teile ohne **Parts No.** werden nicht geliefert.

ELECTRIC UNIT(X25-79XX-XX)

Ref.No.	A d d	N e w	Parts No.	Description	Desti- nation
CN4			E56-0809-05	CYLINDRICAL RECEPTACLE	M1
J1			E63-0828-05	PHONO JACK (KDC-3010)	M1
J1			E63-0842-05	PHONO JACK(S3009, 2010, 4060R)	K1M2E
WH1		*	E30-4568-05	CORD WITH PLUG	
L1			L40-4791-17	SMALL FIXED INDUCTOR(4.7UH)	
L3			L40-4791-17	SMALL FIXED INDUCTOR(4.7UH)	
L4			L33-1039-05	LINE FILTER COIL	
L5			L40-4791-17	SMALL FIXED INDUCTOR(4.7UH)	M1M2K1
L5	-7		L40-4791-17	SMALL FIXED INDUCTOR(4.7UH)	E
X1			L77-1163-05	CRYSTAL RESONATOR(4.5M)	
X1			L77-1165-05	CRYSTAL RESONATOR(4.5MHZ)	
X2			L78-0545-05	RESONATOR (CSB456FB38, AN)	
X3			L77-2002-05	CRYSTAL RESONATOR	E
E	3C		N30-3005-46	PAN HEAD MACHINE SCREW	
F	1D		N64-3010-46	PAN HEAD SEMS SCREW	
G	2D		N80-3010-46	PAN HEAD TAPTITE SCREW	
H	1D		N83-3005-46	PAN HEAD TAPTITE SCREW	
J	1D		N83-3020-46	PAN HEAD TAPTITE SCREW	
R1			RK73FB2A223J	CHIP R 22K J 1/10W	
R2			RK73FB2A103J	CHIP R 10K J 1/10W	
R3			RK73FB2A222J	CHIP R 2.2K J 1/10W	
R4			RK73FB2A101J	CHIP R 100 J 1/10W	
R5			R92-2104-05	CHIP R 2.2 J 1W	
R6			RK73FB2A152J	CHIP R 1.5K J 1/10W	
R7			RK73FB2A561J	CHIP R 560 J 1/10W	
R14			RD14DB2H102J	SMALL-RD 1.0K J 1/2W	
R15			RK73FB2A223J	CHIP R 22K J 1/10W	
R16			RD14DB2H102J	SMALL-RD 1.0K J 1/2W	
R17			RK73FB2A223J	CHIP R 22K J 1/10W	M1M2
R18			R92-0366-05	CHIP R 560 J 1W	M1M2
R19			RK73FB2A472J	CHIP R 4.7K J 1/10W	M1M2
R20			RK73FB2A472J	CHIP R 4.7K J 1/10W	K1E
R21			RK73FB2A123J	CHIP R 12K J 1/10W	
R22			RK73FB2A104J	CHIP R 100K J 1/10W	
R23			RK73FB2A153J	CHIP R 15K J 1/10W	
R24			RK73FB2A562J	CHIP R 5.6K J 1/10W	
R25			RD14DB2H332J	SMALL-RD 3.3K J 1/2W	
R27			RK73FB2A472J	CHIP R 4.7K J 1/10W	
R28			RK73FB2A104J	CHIP R 100K J 1/10W	
R30 ,31			RK73FB2A473J	CHIP R 47K J 1/10W	E
R31			RK73FB2A473J	CHIP R 47K J 1/10W	K1
R34			RK73FB2A473J	CHIP R 47K J 1/10W	K1
R34 -37			RK73FB2A473J	CHIP R 47K J 1/10W	M1M2
R36 ,37			RK73FB2A473J	CHIP R 47K J 1/10W	K1E
R39			RK73FB2A104J	CHIP R 100K J 1/10W	M1M2K1
R40			RK73FB2A473J	CHIP R 47K J 1/10W	K1M2E
R41			RK73FB2A334J	CHIP R 330K J 1/10W	M1
R42			RK73FB2A104J	CHIP R 100K J 1/10W	
R43 ,44			RK73FB2A102J	CHIP R 1.0K J 1/10W	
R45 ,46			RK73FB2A222J	CHIP R 2.2K J 1/10W	M1
R46			RK73FB2A222J	CHIP R 2.2K J 1/10W	K1M2E
R47			RK73FB2A221J	CHIP R 220 J 1/10W	
R48			RK73FB2A222J	CHIP R 2.2K J 1/10W	E
R49			RK73FB2A473J	CHIP R 47K J 1/10W	M1M2K1

Ref.No.	A d d	N e w	Parts No.	Description	Desti- nation
R50 -52			RK73FB2A222J	CHIP R 2.2K J 1/10W	
R53 -55			RK73FB2A102J	CHIP R 1.0K J 1/10W	
R56 -58			RK73FB2A222J	CHIP R 2.2K J 1/10W	
R59			RK73FB2A104J	CHIP R 100K J 1/10W	
R60			RK73FB2A154J	CHIP R 150K J 1/10W	
R62			RK73FB2A223J	CHIP R 22K J 1/10W	
R63			RK73FB2A101J	CHIP R 100 J 1/10W	
R64			RK73FB2A222J	CHIP R 2.2K J 1/10W	
R65			RK73FB2A473J	CHIP R 47K J 1/10W	
R66			RK73FB2A102J	CHIP R 1.0K J 1/10W	
R67			RK73FB2A472J	CHIP R 4.7K J 1/10W	E
R68			RK73FB2A470J	CHIP R 47 J 1/10W	
R69			RK73FB2A222J	CHIP R 2.2K J 1/10W	
R70			RK73FB2A332J	CHIP R 3.3K J 1/10W	E
R71 ,72			RK73FB2A473J	CHIP R 47K J 1/10W	
R74			RK73FB2A103J	CHIP R 10K J 1/10W	
R75 ,76			RK73FB2A102J	CHIP R 1.0K J 1/10W	
R77 ,78			RK73FB2A682J	CHIP R 6.8K J 1/10W	
R79 ,80			RK73FB2A104J	CHIP R 100K J 1/10W	M1M2K1
R82 ,83			RK73FB2A101J	CHIP R 100 J 1/10W	
R84 -86			RK73FB2A102J	CHIP R 1.0K J 1/10W	
R87			RK73FB2A101J	CHIP R 100 J 1/10W	
R88			RK73FB2A470J	CHIP R 47 J 1/10W	
R89			RK73FB2A101J	CHIP R 100 J 1/10W	
R90			RK73FB2A332J	CHIP R 3.3K J 1/10W	
R91 ,92			RK73FB2A102J	CHIP R 1.0K J 1/10W	
R93 ,94			RK73FB2A622J	CHIP R 6.2K J 1/10W	
R95			RK73FB2A302J	CHIP R 3.0K J 1/10W	
R96			RK73FB2A271J	CHIP R 270 J 1/10W	
R97			RK73FB2A393J	CHIP R 39K J 1/10W	M1M2K1
R98			RK73FB2A154J	CHIP R 150K J 1/10W	M1M2K1
R98			RK73FB2A184J	CHIP R 180K J 1/10W	E
R99 ,100			RK73FB2A104J	CHIP R 100K J 1/10W	
R101			RK73FB2A683J	CHIP R 68K J 1/10W	
R102			RK73FB2A183J	CHIP R 18K J 1/10W	
R103			RK73FB2A102J	CHIP R 1.0K J 1/10W	
R104			RK73EB2B562J	CHIP R 5.6K J 1/8W	E
R105			RK73FB2A103J	CHIP R 10K J 1/10W	E
R106			RK73FB2A753J	CHIP R 75K J 1/10W	E
R107			RK73FB2A182J	CHIP R 1.8K J 1/10W	E
R108			RK73FB2A153J	CHIP R 15K J 1/10W	E
R109			RK73FB2A103J	CHIP R 10K J 1/10W	E
R110			RK73FB2A562J	CHIP R 5.6K J 1/10W	E
R111			RK73FB2A161J	CHIP R 160 J 1/10W	E
R112			RK73FB2A103J	CHIP R 10K J 1/10W	E
R113			RK73FB2A823J	CHIP R 82K J 1/10W	E
R114			RK73FB2A103J	CHIP R 10K J 1/10W	E
R115			RK73FB2A104J	CHIP R 100K J 1/10W	E
R116			RK73FB2A103J	CHIP R 10K J 1/10W	E
R121-124			RK73FB2A472J	CHIP R 4.7K J 1/10W	
R125			RK73FB2A751J	CHIP R 750 J 1/10W	
R126			RK73FB2A431J	CHIP R 430 J 1/10W	
R129			RK73FB2A223J	CHIP R 22K J 1/10W	
R131-134			RK73FB2A361J	CHIP R 360 J 1/10W	M1
R133, 134			RK73FB2A361J	CHIP R 360 J 1/10W	K1M2E

[DESTINATION]

K1: KDC-S3009 M1: KDC-3010 M2:KDC-2010 E:KDC-4060RG/RA/RYG/RYA
 E1: KDC-4060RG E2: KDC-4060RA E3:KDC-4060RYG E4:KDC-4060RYA

⚠ indicates safety critical components.

KDC-S3009/3010/2010/4060R

PARTS LIST

*New Parts

Parts without Parts No. are not supplied.

Les articles non mentionnés dans le Parts No. ne sont pas fournis.

Teile ohne Parts No. werden nicht geliefert.

ELECTRIC UNIT(X25-79XX-XX)

Ref.No.	A d d w	N e d w	Parts No.	Description	Desti- nation
R135, 136			RK73FB2A432J	CHIP R 4.3K J 1/10W	M1
R137-140			RK73FB2A223J	CHIP R 22K J 1/10W	M1
R139, 140			RK73FB2A223J	CHIP R 22K J 1/10W	K1M2E
R141-144			RK73EB2B221J	CHIP R 220 J 1/8W	M1
R143, 144			RK73EB2B221J	CHIP R 220 J 1/8W	K1M2E
R147, 148			RK73EB2B100J	CHIP R 10 J 1/8W	M1
R149			RK73EB2B4R7J	CHIP R 4.7 J 1/8W	M1
R150-152			RK73FB2A104J	CHIP R 100K J 1/10W	
R153-155			RK73FB2A222J	CHIP R 2.2K J 1/10W	
R156			RK73EB2B102J	CHIP R 1.0K J 1/8W	
R163			RK73EB2B222J	CHIP R 2.2K J 1/8W	
R164			RK73EB2B472J	CHIP R 4.7K J 1/8W	M1
R165-167			RK73EB2B102J	CHIP R 1.0K J 1/8W	M1
R168			RK73EB2B470J	CHIP R 47 J 1/8W	M1
R169			RK73EB2B102J	CHIP R 1.0K J 1/8W	M1
R170			RK73EB2B470J	CHIP R 47 J 1/8W	M1
R171			RK73EB2B102J	CHIP R 1.0K J 1/8W	M1
R172-175			RK73FB2A104J	CHIP R 100K J 1/10W	
R176			RK73FB2A331J	CHIP R 330 J 1/10W	
R177			RK73FB2A622J	CHIP R 6.2K J 1/10W	
R180			RK73FB2A750J	CHIP R 75 J 1/10W	E
R181			RK73FB2A223J	CHIP R 22K J 1/10W	E
R182			RK73FB2A562J	CHIP R 5.6K J 1/10W	E
R183			RK73FB2A101J	CHIP R 100 J 1/10W	E
R185			RK73FB2A302J	CHIP R 3.0K J 1/10W	E
R186, 187			RK73FB2A222J	CHIP R 2.2K J 1/10W	E
R187			RK73FB2A102J	CHIP R 1.0K J 1/10W	M1M2K1
R188			RK73FB2A472J	CHIP R 4.7K J 1/10W	E
R188			RK73FB2A561J	CHIP R 560 J 1/10W	M1M2K1
R189			RK73FB2A331J	CHIP R 330 J 1/10W	
R190			RK73FB2A751J	CHIP R 750 J 1/10W	
R191			RK73FB2A331J	CHIP R 330 J 1/10W	M1M2K1
R192			RK73FB2A331J	CHIP R 330 J 1/10W	E
R200			RK73FB2A222J	CHIP R 2.2K J 1/10W	E
R201			RK73FB2A223J	CHIP R 22K J 1/10W	
R202			RK73EB2B102J	CHIP R 1.0K J 1/8W	
R203			RK73FB2A223J	CHIP R 22K J 1/10W	
R204			RK73EB2B102J	CHIP R 1.0K J 1/8W	
R205, 206			RK73FB2A472J	CHIP R 4.7K J 1/10W	
R207			RK73FB2A222J	CHIP R 2.2K J 1/10W	E
R208			RK73FB2A393J	CHIP R 39K J 1/10W	M1M2K1
R209			RK73FB2A151J	CHIP R 150 J 1/10W	E
R209			RK73FB2A470J	CHIP R 47 J 1/10W	M1M2K1
R210			RK73FB2A473J	CHIP R 47K J 1/10W	M1M2K1
R211, 212			RK73FB2A103J	CHIP R 10K J 1/10W	
R213			RK73FB2A182J	CHIP R 1.8K J 1/10W	
R214			RK73FB2A562J	CHIP R 5.6K J 1/10W	
R215			RK73FB2A223J	CHIP R 22K J 1/10W	E
R215			RK73FB2A332J	CHIP R 3.3K J 1/10W	K1
R215			RK73FB2A682J	CHIP R 6.8K J 1/10W	M1M2
R216, 217			RK73FB2A222J	CHIP R 2.2K J 1/10W	
R218			RK73FB2A473J	CHIP R 47K J 1/10W	E
R227-230			RK73FB2A222J	CHIP R 2.2K J 1/10W	E
R231, 232			RK73FB2A223J	CHIP R 22K J 1/10W	E
R233			RK73FB2A822J	CHIP R 8.2K J 1/10W	E

Ref.No.	A d d w	N e d w	Parts No.	Description	Desti- nation
R234			RK73FB2A102J	CHIP R 1.0K J 1/10W	E
R235			RK73FB2A472J	CHIP R 4.7K J 1/10W	E
R236			RK73FB2A332J	CHIP R 3.3K J 1/10W	E
R237			RK73FB2A472J	CHIP R 4.7K J 1/10W	E
R238			RK73FB2A182J	CHIP R 1.8K J 1/10W	E
R239, 240			RK73FB2A473J	CHIP R 47K J 1/10W	E
R241			RK73FB2A103J	CHIP R 10K J 1/10W	E
R242			RK73FB2A682J	CHIP R 6.8K J 1/10W	E
R243			RK73FB2A561J	CHIP R 560 J 1/10W	E
R244			RK73FB2A222J	CHIP R 2.2K J 1/10W	E
R245			RK73FB2A223J	CHIP R 22K J 1/10W	E
R246			RK73FB2A562J	CHIP R 5.6K J 1/10W	E
R247			RK73FB2A223J	CHIP R 22K J 1/10W	E
R248			RK73FB2A102J	CHIP R 1.0K J 1/10W	E
R249			RK73FB2A472J	CHIP R 4.7K J 1/10W	E
VR1			R32-0038-05	SEMI FIXED VARIABLE RESISTOR	
W1			R92-2052-05	CHIP R 0 J 1/10W	M1M2
W2			R92-2052-05	CHIP R 0 J 1/10W	E2E4
W3			R92-2052-05	CHIP R 0 J 1/10W	E1E3
W3 , 4			R92-2052-05	CHIP R 0 J 1/10W	M1M2K1
W6			R92-2052-05	CHIP R 0 J 1/10W	E
W6 -11			R92-2052-05	CHIP R 0 J 1/10W	M1M2
W7			R92-2052-05	CHIP R 0 J 1/10W	K1
W9 -11			R92-2052-05	CHIP R 0 J 1/10W	K1
W17 -20			R92-2052-05	CHIP R 0 J 1/10W	M1
W19 -21			R92-2052-05	CHIP R 0 J 1/10W	E
W19 , 20			R92-2052-05	CHIP R 0 J 1/10W	K1M2
D1			RM10ZLF	DIODE	
D2			S5566B	DIODE	
D3			* MA4056(N)-M	ZENER DIODE	
D4			* MA4091(N)-L	ZENER DIODE	
D5			* MA4082(N)-L	ZENER DIODE	
D6			RD11JS(B1)	ZENER DIODE	
D7			1SS133	DIODE	
D8			AM01Z	DIODE	K1E
D8			ERA15-01	DIODE	K1E
D9			AM01Z	DIODE	M1M2
D9			ERA15-01	DIODE	M1M2
D10			* MA4056(N)-M	ZENER DIODE	
D12			* MA4056(N)-M	ZENER DIODE	
D15			DAN202K	DIODE	
D15			MA152WK	DIODE	
D16			* MA3068WA	ZENER DIODE	
D17 -19			DA204K	DIODE	M1
D20			DAN202K	DIODE	E
D20			MA152WK	DIODE	E
D21			DA204K	DIODE	
D30 , 31			* MA3062WA	ZENER DIODE	M1
D33			* MA3062WA	ZENER DIODE	M1
D35			DAN202K	DIODE	
D35			MA152WK	DIODE	
D36			DAP202K	DIODE	
D36			MA152WA	DIODE	
D37 , 38			DA204K	DIODE	

[DESTINATION]

K1: KDC-S3009 M1: KDC-3010 M2: KDC-2010 E: KDC-4060RG/RA/RYG/RYA

E1: KDC-4060RG E2: KDC-4060RA E3: KDC-4060RYG E4: KDC-4060RYA

32

⚠ indicates safety critical components.

PARTS LIST

*New Parts

Parts without **Parts No.** are not supplied.

Les articles non mentionnes dans le **Parts No.** ne sont pas fournis.

Teile ohne **Parts No.** werden nicht geliefert.

ELECTRIC UNIT(X25-79XX-XX)

Ref.No.	A d d w	Parts No.	Description	Desti- nation
D40		DA204K	DIODE	E
D41		DAP202K	DIODE	K1
D41		MA152WA	DIODE	K1
D42		1SS133	DIODE	
D50		1SS133	DIODE	E
IC1		178016BGC511	MI-COM IC	E
IC1		178016BGC517	MI-COM IC	M1M2K1
IC2		TDA7420	ANALOGUE IC	
IC4		TDA7384A	ANALOGUE IC	
IC7		HD74HC27FP	MOS-IC	
IC8		TC4W66F	IC	E
IC9		SAA6579T	IC	E
Q1		2SC2412K	TRANSISTOR	
Q1		2SD601A	TRANSISTOR	
Q2		2SB1565F(E, F)	TRANSISTOR	
Q3		DTC144EK	DIGITAL TRANSISTOR	
Q3		UN2213	DIGITAL TRANSISTOR	
Q4		DTA124EK	DIGITAL TRANSISTOR	
Q4		UN2112	DIGITAL TRANSISTOR	
Q5		2SC2412K	TRANSISTOR	
Q5		2SD601A	TRANSISTOR	
Q6		2SB1184	TRANSISTOR	
Q7		2SD2396F40	TRANSISTOR	
Q8		DTC144EK	DIGITAL TRANSISTOR	
Q8		UN2213	DIGITAL TRANSISTOR	
Q9		DTA124EK	DIGITAL TRANSISTOR	
Q9		UN2112	DIGITAL TRANSISTOR	
Q10		2SC2412K	TRANSISTOR	
Q10		2SD601A	TRANSISTOR	
Q11		2SB1184	TRANSISTOR	
Q16		DTC114YK	DIGITAL TRANSISTOR	
Q16		UN2214	DIGITAL TRANSISTOR	
Q17		DTA124EK	DIGITAL TRANSISTOR	
Q17		UN2112	DIGITAL TRANSISTOR	
Q18		2SA1037K	TRANSISTOR	
Q19		2SB1277(Q, R)	TRANSISTOR	K1E
Q19 , 20		2SB1277(Q, R)	TRANSISTOR	M1M2
Q21		DTC114YK	DIGITAL TRANSISTOR	M1M2
Q21		UN2214	DIGITAL TRANSISTOR	M1M2
Q22		2SC2412K	TRANSISTOR	
Q22		2SD601A	TRANSISTOR	
Q24		DTA114YK	DIGITAL TRANSISTOR	
Q24		UN2114	DIGITAL TRANSISTOR	
Q25		DTC124EK	DIGITAL TRANSISTOR	
Q25		UN2212	DIGITAL TRANSISTOR	
Q26		DTA124EK	DIGITAL TRANSISTOR	
Q26		UN2112	DIGITAL TRANSISTOR	
Q27 , 28		DTC144EK	DIGITAL TRANSISTOR	E
Q27 , 28		UN2213	DIGITAL TRANSISTOR	E
Q28		DTC144EK	DIGITAL TRANSISTOR	M1M2K1
Q28		UN2213	DIGITAL TRANSISTOR	M1M2K1
Q29 , 30		2SC2412K	TRANSISTOR	
Q29 , 30		2SD601A	TRANSISTOR	
Q31		DTC144EK	DIGITAL TRANSISTOR	M1M2K1
Q31		UN2213	DIGITAL TRANSISTOR	M1M2K1

Ref.No.	A d d w	Parts No.	Description	Desti- nation
Q32		2SC2412K	TRANSISTOR	E
Q32		2SD601A	TRANSISTOR	E
Q33		DTC124EK	DIGITAL TRANSISTOR	
Q33		UN2212	DIGITAL TRANSISTOR	
Q34		DTA124EK	DIGITAL TRANSISTOR	
Q34		UN2112	DIGITAL TRANSISTOR	
Q35 , 36		2SC2412K	TRANSISTOR	M1
Q35 , 36		2SD601A	TRANSISTOR	M1
Q37 , 38		DTC143TK	DIGITAL TRANSISTOR	
Q37 , 38		UN2216	DIGITAL TRANSISTOR	
Q40		DTA114YK	DIGITAL TRANSISTOR	
Q40		UN2114	DIGITAL TRANSISTOR	
Q50		DTC144EK	DIGITAL TRANSISTOR	E
Q50		UN2213	DIGITAL TRANSISTOR	E
Q51		2SA1037K	TRANSISTOR	E
Q52 , 53		2SK669	FET	E
Q53		2SK669	FET	M1M2K1
Q54		DTC114TK	DIGITAL TRANSISTOR	E
Q54		UN2215	DIGITAL TRANSISTOR	E
Q55		DTA124EK	DIGITAL TRANSISTOR	E
Q55		UN2112	DIGITAL TRANSISTOR	E
Q56 , 57		2SB1277(Q, R)	TRANSISTOR	
Q58 , 59		2SC2412K	TRANSISTOR	
Q58 , 59		2SD601A	TRANSISTOR	
Q61		DTB123YK	DIGITAL TRANSISTOR	K1
Q62 -64		DTC124EK	DIGITAL TRANSISTOR	E
Q62 -64		UN2212	DIGITAL TRANSISTOR	E
Q63 , 64		DTC124EK	DIGITAL TRANSISTOR	M1M2K1
Q63 , 64		UN2212	DIGITAL TRANSISTOR	M1M2K1
Q65		DTC144EK	DIGITAL TRANSISTOR	M1M2K1
Q65		UN2213	DIGITAL TRANSISTOR	M1M2K1
Q70		2SA1037K	TRANSISTOR	E
Q71 , 72		DTC124EK	DIGITAL TRANSISTOR	E
Q71 , 72		UN2212	DIGITAL TRANSISTOR	E
Q73 -77		2SC2412K	TRANSISTOR	E
Q73 -77		2SD601A	TRANSISTOR	E
TH1		NT732ATD33KJ	THERMISTOR	
A1	3D	W02-1514-05	FM/AM FRONT-END	E
A1	3D	W02-1577-05	FM/AM FRONT-END	M1M2K1

CD PLAYER UNIT(X32-4280-00)

Ref.No.	A d d w	Parts No.	Description	Value	Unit	Desti- nation
C1	, 2	CK73EB1C105K	CHIP C	1.0UF	K	
C3	, 4	C92-0509-05	CHIP-TAN	10UF	6.3WV	
C5		CC73FCH1H220J	CHIP C	22PF	J	
C6		CC73FCH1H020C	CHIP C	2.0PF	C	
C7		CK73FB1C104K	CHIP C	0.10UF	K	
C8		CK73EB1C105K	CHIP C	1.0UF	K	
C9		CC73FCH1H101J	CHIP C	100PF	J	
C10 , 11		CK73FB1H682K	CHIP C	6800PF	K	
C12		CK73FB1H222K	CHIP C	2200PF	K	
C13		CK73FB1E273KTA	CHIP C	0.027UF	K	
C14		CK73FB1H472K	CHIP C	4700PF	K	
C15		CK73FB1E473KTA	CHIP C	0.047UF	K	
C16		CC73FCH1H101J	CHIP C	100PF	J	
C17		CK73FB1H222K	CHIP C	2200PF	K	

[DESTINATION]

K1: KDC-S3009 M1: KDC-3010 M2:KDC-2010 E:KDC-4060RG/RA/RYG/RYA
E1: KDC-4060RG E2: KDC-4060RA E3:KDC-4060RYG E4:KDC-4060RYA

⚠ indicates safety critical components.

KDC-S3009/3010/2010/4060R

PARTS LIST

*New Parts

Parts without **Parts No.** are not supplied.

Les articles non mentionnes dans le **Parts No.** ne sont pas fournis.

Teile ohne **Parts No.** werden nicht geliefert.

CD PLAYER UNIT(X32-4280-00)

Ref.No.	A d d w	N e w	Parts No.	Description	Desti- nation
C18			CC73FCH1H391J	CHIP C 390PF J	
C19 ,20			CK73FB1C104K	CHIP C 0.10UF K	
C21			C92-0509-05	CHIP-TAN 10UF 6.3WV	
C22			CK73FB1C104K	CHIP C 0.10UF K	
C23			CK73FB1H102K	CHIP C 1000PF K	
C24			CK73FB1H223KTA	CHIP C 0.022UF K	
C25			CK73FB1H123K	CHIP C 0.012UF K	
C26			CK73FB1C104K	CHIP C 0.10UF K	
C27			CC73FCH1H101J	CHIP C 100PF J	
C28			CK73EB1C105K	CHIP C 1.0UF K	
C31			CK73EB1C105K	CHIP C 1.0UF K	
C41			C92-1335-05	ELECTRO 4.7UF 16WV	
C42			CK73EB1H104K	CHIP C 0.10UF K	
C43			CK73FB1H123K	CHIP C 0.012UF K	
C44			CK73FB1C104K	CHIP C 0.10UF K	
C45			CK73FB1H223KTA	CHIP C 0.022UF K	
C51			CK73EB1C105K	CHIP C 1.0UF K	
C53			C92-0509-05	CHIP-TAN 10UF 6.3WV	
C54			CK73FB1C104K	CHIP C 0.10UF K	
C55 ,56			CK73EB1C105K	CHIP C 1.0UF K	
C57 ,58			CK73FB1C224K	CHIP C 0.22UF K	
C61 ,62			CC73FCH1H471J	CHIP C 470PF J	
C63 ,64			CC73FCH1H680J	CHIP C 68PF J	
C65 ,66			CK73FB1H222K	CHIP C 2200PF K	
C101			CC73ECH1H221J	CHIP C 220PF J	
C101			CK73EB1H221K	CHIP C 220PF K	
C102			CK73FB1C104K	CHIP C 0.10UF K	
CN1			E40-9536-05	FLAT CABLE CONNECTOR	
CN2			E40-9339-05	FLAT CABLE CONNECTOR	
L1			L40-1001-31	SMALL FIXED INDUCTOR(10UH)	
X1			L78-0620-05	RESONATOR	
X2			L78-0528-05	RESONATOR	
R1			RK73FB2A243J	CHIP R 24K J 1/10W	
R2			RK73FB2A183J	CHIP R 18K J 1/10W	
R3			RK73FB2A154J	CHIP R 150K J 1/10W	
R4			RK73FB2A155J	CHIP R 1.5M J 1/10W	
R5			RK73FB2A910J	CHIP R 91 J 1/10W	
R6			RK73FB2A154J	CHIP R 150K J 1/10W	
R7			RK73FB2A155J	CHIP R 1.5M J 1/10W	
R8			RK73EB2B4R7J	CHIP R 4.7 J 1/8W	
R9			RK73EB2B100J	CHIP R 10 J 1/8W	
R10 ,11			RK73FB2A912J	CHIP R 9.1K J 1/10W	
R12			RK73FB2A562J	CHIP R 5.6K J 1/10W	
R13			RK73FB2A683J	CHIP R 68K J 1/10W	
R14 ,15			RK73FB2A824J	CHIP R 820K J 1/10W	
R16			RK73FB2A223J	CHIP R 22K J 1/10W	
R17			RK73FB2A393J	CHIP R 39K J 1/10W	
R18			RK73FB2A392J	CHIP R 3.9K J 1/10W	
R19			RK73FB2A333J	CHIP R 33K J 1/10W	
R20			RK73FB2A104J	CHIP R 100K J 1/10W	
R21			RK73FB2A224J	CHIP R 220K J 1/10W	
R31			RK73FB2A102J	CHIP R 1.0K J 1/10W	
R32			RK73FB2A104J	CHIP R 100K J 1/10W	

Ref.No.	A d d w	N e w	Parts No.	Description	Desti- nation
R33			RK73FB2A155J	CHIP R 1.5M J 1/10W	
R34			RK73FB2A333J	CHIP R 33K J 1/10W	
R35			RK73FB2A104J	CHIP R 100K J 1/10W	
R36			RK73FB2A111J	CHIP R 110 J 1/10W	
R37			RK73FB2A471J	CHIP R 470 J 1/10W	
R38			RK73FB2A224J	CHIP R 220K J 1/10W	
R39			RK73FB2A102J	CHIP R 1.0K J 1/10W	
R41			RK73FB2A101J	CHIP R 100 J 1/10W	
R42			RK73FB2A104J	CHIP R 100K J 1/10W	
R43			RK73FB2A101J	CHIP R 100 J 1/10W	
R44			RK73FB2A102J	CHIP R 1.0K J 1/10W	
R45			RK73FB2A103J	CHIP R 10K J 1/10W	
R46			RK73FB2A102J	CHIP R 1.0K J 1/10W	
R47			RK73FB2A103J	CHIP R 10K J 1/10W	
R48 -50			RK73FB2A472J	CHIP R 4.7K J 1/10W	
R51			RK73FB2A101J	CHIP R 100 J 1/10W	
R52			RK73FB2A104J	CHIP R 100K J 1/10W	
R53			RK73FB2A101J	CHIP R 100 J 1/10W	
R54			RK73FB2A104J	CHIP R 100K J 1/10W	
R55			RK73FB2A101J	CHIP R 100 J 1/10W	
R56			RK73FB2A104J	CHIP R 100K J 1/10W	
R57			RK73FB2A472J	CHIP R 4.7K J 1/10W	
R58 -61			RK73FB2A101J	CHIP R 100 J 1/10W	
R63 ,64			RK73FB2A101J	CHIP R 100 J 1/10W	
R65 ,66			RK73FB2A472J	CHIP R 4.7K J 1/10W	
R67			RK73FB2A101J	CHIP R 100 J 1/10W	
R68			RK73FB2A104J	CHIP R 100K J 1/10W	
R69			RK73FB2A101J	CHIP R 100 J 1/10W	
R71			RK73FB2A752J	CHIP R 7.5K J 1/10W	
R72			RK73FB2A102J	CHIP R 1.0K J 1/10W	
R73			RK73FB2A333J	CHIP R 33K J 1/10W	
R74			RK73FB2A822J	CHIP R 8.2K J 1/10W	
R75			RK73FB2A273J	CHIP R 27K J 1/10W	
R76			RK73FB2A512J	CHIP R 5.1K J 1/10W	
R77			RK73FB2A393J	CHIP R 39K J 1/10W	
R78			RK73FB2A153J	CHIP R 15K J 1/10W	
R79			RK73FB2A202J	CHIP R 2.0K J 1/10W	
R80			RK73FB2A162J	CHIP R 1.6K J 1/10W	
R81			RK73FB2A273J	CHIP R 27K J 1/10W	
R82			RK73FB2A562J	CHIP R 5.6K J 1/10W	
R83			RK73FB2A561J	CHIP R 560 J 1/10W	
R91 ,92			RK73FB2A332J	CHIP R 3.3K J 1/10W	
R93 ,94			RK73FB2A562J	CHIP R 5.6K J 1/10W	
R95 ,96			RK73FB2A203J	CHIP R 20K J 1/10W	
R101-106			RK73FB2A203J	CHIP R 20K J 1/10W	
R107,108			RK73FB2A681J	CHIP R 680 J 1/10W	
R201,202			RK73FB2A392J	CHIP R 3.9K J 1/10W	
R203,204			RK73FB2A204J	CHIP R 200K J 1/10W	
R205			RK73FB2A472J	CHIP R 4.7K J 1/10W	
W1			R92-2052-05	CHIP R 0 J 1/10W	
W11 -13			R92-2053-05	CHIP R 0 J 1/8W	
S1 ,2			S68-0822-05	PUSH SWITCH	
S3			S68-0823-05	PUSH SWITCH	

[DESTINATION]

K1: KDC-S3009 M1: KDC-3010 M2:KDC-2010 E :KDC-4060RG/RA/RYG/RYA
E1: KDC-4060RG E2: KDC-4060RA E3:KDC-4060RYG E4:KDC-4060RYA

▲ indicates safety critical components.

PARTS LIST

***New Parts**

Parts without **Parts No.** are not supplied.

Les articles non mentionnes dans le **Parts No.** ne sont pas fournis.

Teile ohne **Parts No.** werden nicht geliefert.


CD PLAYER UNIT(X32-4280-00)

Ref.No.	A d d w	N e w	Parts No.	Description	Desti- nation
D1 ,2			DAN202K	DIODE	
D11			DAN202K	DIODE	
IC1			AN8806SB	ANALOGUE IC	
IC2			MN662747RPH	MOS-IC	
IC3			M37471M8-371FP	MI-COM IC	
IC4			BA6790FP	ANALOGUE IC	
IC5			TA78L05F	IC(VOLTAGE REGULATOR/ +5V)	
IC6			NJM4565MD	IC(OP AMP X2)	
Q1			2SA1362(Y)	TRANSISTOR	
Q2			DTC124EK	DIGITAL TRANSISTOR	
Q3 ,4			2SA1362(Y)	TRANSISTOR	
Q5			DTC124EK	DIGITAL TRANSISTOR	
Q6			2SA1037K	TRANSISTOR	
Q12			DTC124EK	DIGITAL TRANSISTOR	
MECHANISM ASSY(X92-3120-00)					
1	2A		A10-4224-41	CHASSIS	
2	1B		A10-4225-33	CHASSIS CALKING ASSY	
3	2B		A11-0915-23	SUB CHASSIS CALKING ASSY	
6	2A		D10-3083-34	ARM ASSY	
7	2A		D10-3084-34	ARM ASSY	
8	3A		D10-3087-44	ARM ASSY	
9	3B		D10-3092-03	SLIDER	
10	3B		D10-3093-04	SLIDER ASSY	
11	2B		D10-3095-04	SLIDER ASSY	
12	2B		D10-3096-04	SLIDER ASSY	
13	1A		D10-3099-24	SLIDER ASSY	
14	1A		D10-3100-04	SLIDER ASSY	
16	1B		D10-4004-04	LEVER ASSY	
17	1B		D10-4006-04	LEVER	
18	1A		D10-4007-04	LEVER	
19	2B		D10-4008-04	LEVER	
20	2A		D10-4009-23	ARM	
21	3A		D10-4010-04	LEVER	
22	3A		D10-4011-34	LEVER ASSY	
23	3A		D10-4013-14	ARM ASSY	
24	3B		D10-4050-04	ARM	
26	2A		D10-4123-14	LEVER ASSY	
27	3B		D13-1340-13	RACK (GEAR)	
29	3B		D13-1231-04	GEAR	
30	3A		D13-1232-04	GEAR	
31	3B		D13-1233-04	GEAR	
32	3B		D13-1234-14	GEAR ASSY	
33	3A		D13-1238-03	GEAR	
34	3B		D13-1240-04	GEAR	
35	3B		D13-1241-04	GEAR	
36	3B		D13-1242-04	GEAR	
37	1B		D13-1243-04	GEAR	
38	1B		D13-1244-04	GEAR	
39	1B		D13-1245-14	GEAR	
40	2A		D13-1246-04	GEAR	
41	2B		D13-1247-04	GEAR	
43	2B		D13-1249-04	GEAR ASSY	
44	2B		D13-1341-04	GEAR ASSY	

Ref.No.	A d d w	N e w	Parts No.	Description	Desti- nation
45	1B		D14-0668-04	ROLLER	
46	2A		D14-0670-04	ROLLER	
47	3B		D14-0674-04	ROLLER	
49	3A		D21-2228-04	SHAFT	
50	1A		D21-2229-04	SHAFT	
51	1A		D23-0925-24	RETAINER	
52	2A		D32-0614-04	STOPPER	
53	1B		D39-0223-05	DAMPER	
54	2B		D39-0224-05	DAMPER	
AR1	2A		D10-4038-23	ARM ASSY	
55	3B		F09-1246-04	SHEET	
58	3B		F09-1266-14	SHEET	
60	2A		G01-2770-04	EXTENSION SPRING	
61	3A		G01-2771-04	EXTENSION SPRING	
62	3A		G01-2772-24	EXTENSION SPRING	
63	3A		G01-2773-14	EXTENSION SPRING	
64	3A		G01-2774-34	EXTENSION SPRING	
65	1B		G01-2775-04	TORSION COIL SPRING	
66	1B		G01-2776-14	TORSION COIL SPRING	
67	3B		G01-2777-14	TORSION COIL SPRING	
69	2A		G01-2844-04	EXTENSION SPRING	
70	2A		G02-1231-04	FLAT SPRING	
71	2B		G02-1232-14	FLAT SPRING	
72	2A		G02-1241-24	FLAT SPRING	
74	3A		G02-1250-04	FLAT SPRING	
75	2A		J11-0613-13	CLAMPER	
76	3A		J19-4678-13	HOLDER	
77	2B		J19-4679-24	HOLDER	
78	3B		J21-7684-03	MOUNTING HARDWARE	
79	2B		J21-7686-03	MOUNTING HARDWARE	
80	1B		J21-7690-03	MOUNTING HARDWARE	
81	3A		J31-1032-04	COLLAR	
82	3A		J84-0060-05	FLEXIBLE PRINTED WIRING BOARD	
83	1A		J90-0757-22	GUIDE	
A	2A	*	N09-4249-05	MACHINE SCREW(M1.7X2.5, LOCK)	
B	1B		N09-4172-05	TAPPING SCREW (2X3.5, C-TITE)	
C	2B		N09-4202-05	STEPPED SCREW	
D	2A		N38-2020-46	PAN HEAD MACHIN SCREW	
E	3A		N82-2006-45	BINDING HEAD TAPTITE SCREW	
F	3B		N19-2023-04	FLAT WASHER	
G	2A		N19-2058-04	FLAT WASHER	
H	3C		N19-2093-04	FLAT WASHER	
M1	3D		T42-0764-04	MOTOR ASSY	
M2	3D		T42-0763-04	MOTOR ASSY	
PU1	2B		T25-0209-05	OPTICAL PICKUP HEAD	

[DESTINATION]

K1: KDC-S3009 M1: KDC-3010 M2:KDC-2010 E :KDC-4060RG/RA/RYG/RYA
 E1: KDC-4060RG E2: KDC-4060RA E3:KDC-4060RYG E4:KDC-4060RYA

 indicates safety critical components.

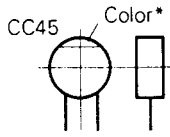
KDC-S3009/3010/2010/4060R

PARTS LIST

CAPACITORS

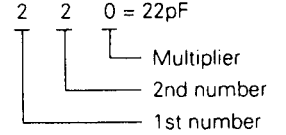
CC 45 TH 1H 220 J
 1 2 3 4 5 6

- 1 = Type ... ceramic, electrolytic, etc.
- 2 = Shape ... round, square, ect.
- 3 = Temp. coefficient
- 4 = Voltage rating
- 5 = Value
- 6 = Tolerance



Capacitor value

- 010 = 1pF
- 100 = 10pF
- 101 = 100pF
- 102 = 1000pF = 0.001μF
- 103 = 0.01μF



Temperature coefficient

1st Word	C	L	P	R	S	T	U
Color*	Black	Red	Orange	Yellow	Green	Blue	Violet
ppm/°C	0	-80	-150	-220	-330	-470	-750

2nd Word	G	H	J	K	L
ppm/°C	±30	±60	±120	±250	±500

Example : CC45TH = -470 ± 60ppm/°C

Tolerance (More than 10pF)

Code	C	D	G	J	K	M	X	Z	P	No code
(%)	±0.25	±0.5	±2	±5	±10	±20	+40 -20	+80 -20	+100 -0	More than 10μF -10 ~ +50 Less than 4.7μF -10 ~ +75

(Less than 10pF)

Code	B	C	D	F	G
(pF)	±0.1	±0.25	±0.5	±1	±2

Voltage rating

2nd word \ 1st word	A	B	C	D	E	F	G	H	J	K	V
0	1.0	1.25	1.6	2.0	2.5	3.15	4.0	5.0	6.3	8.0	-
1	10	12.5	16	20	25	31.5	40	50	63	80	35
2	100	125	160	200	250	315	400	500	630	800	-
3	1000	1250	1600	2000	2500	3150	4000	5000	6300	8000	-

Chip capacitors

(EX) C C 7 3 F S L 1 H 0 0 0 J
 1 2 3 4 5 6 7

(Chip) (CH, RH, UJ, SL)

(EX) C K 7 3 F F 1 H 0 0 0 Z
 1 2 3 4 5 6 7

(Chip) (B, F)

Refer to the table above.

- 1 = Type
- 2 = Shape
- 3 = Dimension
- 4 = Temp. coefficient
- 5 = Voltage rating
- 6 = Value
- 7 = Tolerance

Dimension (Chip capacitors)

Dimension code	L	W	T
Empty	5.6 ± 0.5	5.0 ± 0.5	Less than 2.0
A	4.5 ± 0.5	3.2 ± 0.4	Less than 2.0
B	4.5 ± 0.5	2.0 ± 0.3	Less than 2.0
C	4.5 ± 0.5	1.25 ± 0.2	Less than 1.25
D	3.2 ± 0.4	2.5 ± 0.3	Less than 1.5
E	3.2 ± 0.2	1.6 ± 0.2	Less than 1.25
F	2.0 ± 0.3	1.25 ± 0.2	Less than 1.25
G	1.6 ± 0.2	0.8 ± 0.2	Less than 1.0

RESISTORS

Chip resistor (Carbon)

(EX) R K 7 3 E B 2 B 0 0 0 J
 1 2 3 4 5 6 7

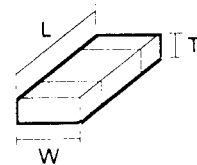
(Chip) (B, F)

Carbon resistor (Normal type)

(EX) R D 1 4 B B 2 C 0 0 0 J
 1 2 3 4 5 6 7

- 1 = Type
- 2 = Shape
- 3 = Dimension
- 4 = Temp. coefficient
- 5 = Rating wattage
- 6 = Value
- 7 = Tolerance

Dimension



Dimension (Chip resistor)

Dimension code	L	W	T
E	3.2 ± 0.2	1.6 ± 0.2	1.0
F	2.0 ± 0.3	1.25 ± 0.2	1.0
G	1.6 ± 0.2	0.8 ± 0.2	0.5 ± 0.1

Rating wattage

Codc	Wattage	Code	Wattage	Code	Wattage
1J	1/16W	2C	1/6W	3A	1W
2A	1/10W	2E	1/4W	3D	2W
2B	1/8W	2H	1/2W		

KDC-S3009/3010/2010/4060R

SPECIFICATIONS

[KDC-S3009/3010/2010]

FM

Frequency Range	
KDC-S3009(K)	87.9 ~ 107.9MHz
KDC-3010/2010(M)	87.5 ~ 108.0MHz
Frequency Step	
KDC-S3009(K)	200kHz
KDC-3010/2010(M)	50kHz
Usable Sensitivity (S/N:30dB)	9.3dBf (0.8 μ V/75 Ω)
Quieting Sensitivity (S/N:50dB)	15.2dBf (1.6 μ V/75 Ω)
Frequency Response (\pm 3.0dB)	30Hz ~ 15kHz
S/N	75dB (MONO)
Selectivity	\geq 80dB (\pm 400kHz)
STEREO Separation	40dB (1kHz)

AM

Frequency Range	
KDC-S3009(K)	530 ~ 1700kHz
KDC-3010/2010(M)	531 ~ 1611kHz
Frequency Step	
KDC-S3009(K)	10kHz
KDC-3010/2010(M)	9kHz
Usable Sensitivity	28dB (25 μ V)

CD

Laser Diode	GaAlAs (λ =780nm)
Digital Filter (D/A)	8Times Over Sampling
D/A Converter	1Bit
Spindle Speed	500 ~ 200 (CLV)
Wow & Flutter	Below Mesurable Limit
Frequency Response	10 ~ 20kHz (\pm 1dB)
Total Harmonic Distortion	0.01% (1kHz)
S/N Ratio	93dB (1kHz)
Dynamic Range	93dB
Channel Separation	85dB

AUDIO

Preout Level / Load	1800mV/10k Ω
Preout Impedance	\leq 600 Ω
Max Power	30W \times 4
PWR (4 Ω , 30 ~ 20kHz, 1%THD)	18W \times 4
Tone Action	
Bass	100Hz \pm 10dB
Treble	10kHz \pm 10dB

GENERAL

Operating Voltage (11 ~ 16V allowable)	14.4V
Current Consumption	10.0A at rated power
Installation Size (W \times H \times D)	182 \times 53 \times 160mm
Weight	1400g

[KDC-4060RG/RA/RYG/RYA]

FM

Frequency Range	87.5 ~ 108.0MHz
Frequency Step	50kHz
Usable Sensitivity (S/N:26dB)	0.7 μ V/75 Ω
Quieting Sensitivity (S/N:46dB)	1.6 μ V/75 Ω
Frequency Response (\pm 3.0dB)	30Hz ~ 15kHz
S/N	68dB (MONO)
Selectivity (DIN)	\geq 80dB (\pm 400kHz)
STEREO Separation	35dB (1kHz)

MW

Frequency Range	531~ 1611kHz
Frequency Step	9kHz
Usable Sensitivity	30 μ V

LW

Frequency Range	153 ~ 281kHz
Usable Sensitivity	45 μ V

CD

Laser Diode	GaAlAs (λ =780nm)
Digital Filter (D/A)	8Times Over Sampling
D/A Converter	1Bit
Spindle Speed	500 ~ 200 (CLV)
Wow & Flutter	Below Mesurable Limit
Frequency Response	10 ~ 20kHz (\pm 1dB)
Total Harmonic Distortion	0.01% (1kHz)
S/N Ratio	93dB (1kHz)
Dynamic Range	93dB
Channel Separation	85dB

AUDIO

Preout Level / Load	1800mV/10k Ω
Preout Impedance	\leq 600 Ω
Max Power	30W \times 4
PWR (DIN45324, +B=14.4V)	20W \times 4
Tone Action	
Bass	100Hz \pm 10dB
Treble	10kHz \pm 10dB

GENERAL

Operating Voltage (11 ~ 16V allowable)	14.4V
Current Consumption	10.0A at rated power
Installation Size (W \times H \times D)	182 \times 53 \times 160mm
Weight	1400g